

# C-Class Estate



Mercedes-Benz



# First impressions count. And so do lasting ones.

True perfection: nothing needs to be added or taken away. The C-Class Estate leads by example. With enhanced stature and a more mature appearance. Wheels sharpen the side profile. A fine chrome handle comes as standard. And LED tail lights which first draw you in and then cast their spell. Impressive details wherever you look.



# Contents

Overview | From Page 3

**First impressions count. And so do lasting ones.**

Facts and Highlights | From Page 9

**Special highlights enhance driving pleasure.**

Equipment | From Page 12

**Exquisite details fulfill outstanding experience.**

Paintwork and appointments | From Page 15

**Color options satisfy personal taste.**

Dimensions | From Page 18

## C-Class Estate

Comfort has never been more exciting.





Its purpose is to serve. Its true nature to seduce. The C-Class Estate achieves this with the optional Driving Assistance package Plus, which has the sole task of looking after your safety every step of the way. With the optional COMAND APS, which makes every driver a decision maker. And with an impressive load capacity, which places great emphasis on freedom. Wilful disobedience: adrenaline for driving pleasure.





Even the inside can be a best side.

Always appropriate and in the proper style. The C-Class Estate has it all: a dashboard trimmed in wood or aluminium, for example, a steering wheel in nappa leather, and a high-resolution colour display in the instrument cluster. Sweeping change: immaculate in every detail.

7 Just let your heart and mind rule together.





The C-Class Estate: as attractive as it is intelligent. In a highly desirable form with all the functionality you could wish for. Now there is space to match the style.

## Model Prices

Model	C 200 Estate Style	C 200 Estate Luxury Sport
Rated Output (kW/hp/rpm)	135/184/5250	135/184/5250
Rated Torque (Nm/rpm)	270/1800-4600	270/1800-4600
Cyl./Displacement (cc)	L4/1796	L4/1796
Fuel consumption, combined	8.2	8.2
Acceleration 0-100 km/h (s)	8.1	8.1
Top speed (km/h)	226	226
Tyres/wheels, front	225/45 R17	225/45 R17
Tyres/wheels, rear	225/45 R17	225/40 R17
Length/Width/Height (mm)	4601/1770/1459	4619/1770/1461
MSRP (RMB)	425,000	485,000

Any inquiry for financial programs or products information, please dial Mercedes-Benz Customer Service Hotline 400-818-1188



## Down payment starting from RMB 85,000

Please scan the QR code to know more about the latest financing and agility programs.

# Highlights



Intelligent Light System<sup>1</sup>



7G-TRONIC PLUS automatic transmission



Memory package



485-1500 L Trunk space



EASY-PACK tailgate



COMAND APS with DVD changer<sup>1</sup>

<sup>1</sup>Standard for C 200 Estate Luxury Sport

# Highlights



THERMATIC automatic climate control



Automatic panoramic sliding sunroof



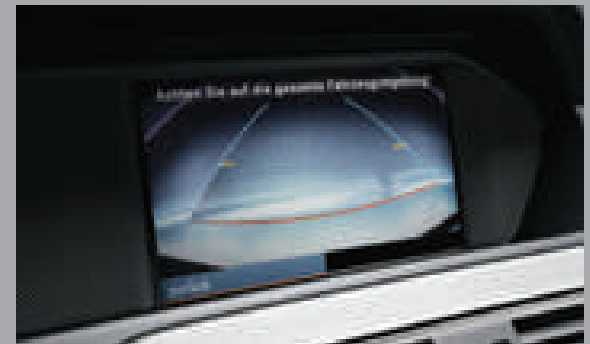
PARKTRONIC including Parking Guidance



Head restraints front crash-responsive NECK-PRO



Luxury multifunction steering wheel



Reversing camera<sup>1</sup>

<sup>1</sup>Standard for C 200 Estate Luxury Sport

# Equipment

Technology	C 200 Estate Style	C 200 Estate Luxury Sport
7G-TRONIC PLUS automatic transmission	●	●
Speed-sensitive steering	●	●
Hill-Start Assist	●	●
AGILITY CONTROL suspension with selective damping system	●	●
<b>Safety and Assistance System</b>		
Reversing camera	—	●
PARKTRONIC including Parking Guidance	●	●
Tyre pressure loss warning system	●	●
PRE-SAFE® system	●	●
ATTENTION ASSIST	●	●
Fire extinguisher fitted on driver's seat at front	●	●
Childproof locks	●	●
Electronic Stability Program (ESP )	●	●
Brake Assist (BAS) automatic recognition of emergency braking situations and assisted braking	●	●
Foot-operated parking brake	●	●
ADAPTIVE BRAKE with HOLD function and brake drying in the wet	●	●
Fluid level warning indicator for fuel, oil and coolant	●	●
Acceleration skid control (ASR)	●	●
Anti-lock braking system (ABS)	●	●
Airbags for driver and front passenger	●	●
Windowbag, sidebags for driver and front passenger	●	●
Head restraints front crash-responsive NECK-PRO	●	●
Underbody protection	●	●
First-aid kit	●	●
Warning triangle	●	●

● Chinese standard equipment

○ Chinese optional equipment

— Not available in China

# Equipment

<b>Infotainment, Navigation and Communication</b>	<b>C 200 Estate Style</b>	<b>C 200 Estate Luxury Sport</b>
Audio 20 CD	●	—
COMAND APS with DVD changer	—	●
<b>Style</b>		
Metallic paint	●	●
17" 5-twin-spoke AMG light-alloy wheels <sup>1</sup>	○	●
17" 5-twin-spoke light-alloy wheels	●	—
Collapsible spare wheel	●	●
Automatic panoramic sliding sunroof	●	●
Roof rails in aluminium look	●	●
Heated windscreen washer system	—	●
Rear windscreen wiper	●	●
Windscreen wiper system with rain sensor	●	●
Electric folding exterior mirrors,painted in vehicle colour, with aspherically curved glass and integral indicator	●	●
Automatically dimming mirrors	●	●
Roller sunblinds in the rear	●	●
LED daytime driving lights and tail lights	●	●
Intelligent Light System	—	●
Bi-xenon headlamps	—	●
Anti-Theft alarm system (ATA) with tow-away protection	●	●
Central locking with interior switch, automatic locking and crash sensor	●	●
<b>Interior</b>		
Leather upholstery	●	●
Cruise control with SPEEDTRONIC variable speed limiter	●	●
THERMATIC automatic climate control	●	●
Heated seats front <sup>2</sup>	○	○
Memory package including fully electrically adjustable front seats and head restraints,steering column and exterior mirrors electrically adjustable	●	●

<sup>1</sup>Included in AMG sports package

<sup>2</sup>MSRP RMB 5,000

● Chinese standard equipment

○ Chinese optional equipment

— Not available in China

# Equipment

Interior	C 200 Estate Style	C 200 Estate Luxury Sport
Brushed aluminium trim	●	●
Smoker package incl. ashtray with cigarette lighter instead of front stowage compartment	●	●
EASY-PACK tailgate	●	●
Sun visors, illuminated with vanity mirror	●	●
Luxury multifunction steering wheel	●	●
Belt tensioners	●	●
Adjustable lumbar support (4-way) for driver	●	●
ISOFIX child-seat mountings in the rear	●	●
Rear compartment lighting	●	●
Reading lamps front	●	●
Boot lighting	●	●
Packages		
The AMG Sports package* includes the following exterior features:		
AMG bodystyling (front and rear apron, side sill panels)	○	●
17" 5-twin-spoke AMG light-alloy wheels	○	●
Perforated front brake discs	○	●
Front brake callipers with "Mercedes-Benz" lettering	○	●
Lowered sports suspension	○	●
Polished stainless steel tailpipe	○	●
The AMG Sports package* includes the following interior features:		
3-spoke multifunction sports steering wheel in nappa leather, flattened lower section	○	●
Aluminium-look gearshift	○	●
Brushed stainless steel AMG sports pedals with black rubber studs	○	●
Roof liner in black	○	●
Black floor mats with AMG lettering	○	●

\*MSRP RMB 28,000

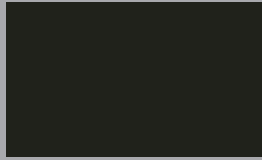
● Chinese standard equipment

○ Chinese optional equipment

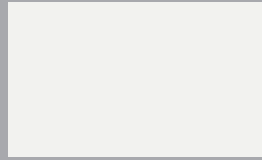
— Not available in China

# Paintwork

Non-metallic paints



040 Black



149 Polar white



590 Fire opal

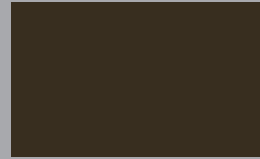
Metallic paints



183 Magnetite black



197 Obsidian black



526 Dolomite brown



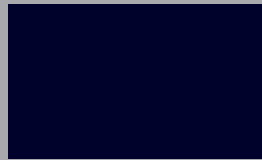
755 Tenorite grey



775 Iridium silver



792 Palladium silver



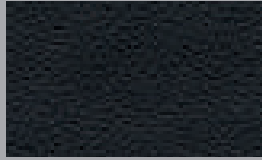
890 Cavansite blue



988 Diamond silver

# Upholstery and Leather

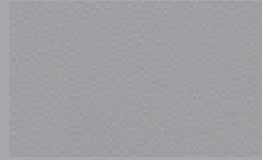
Leather



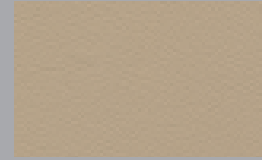
221 Black



224 Cappuccino

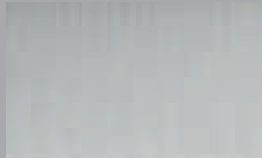


228 Alpaca grey



235 Sahara beige

Trim



739 Aluminium trim

\*Actual colors may differ slightly from those shown owing to the limitations of the printing process.

## Wheels



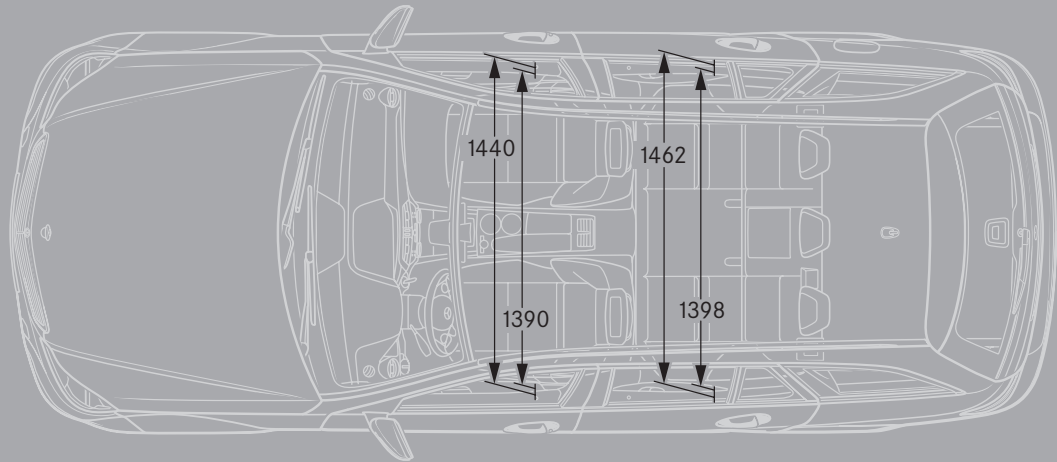
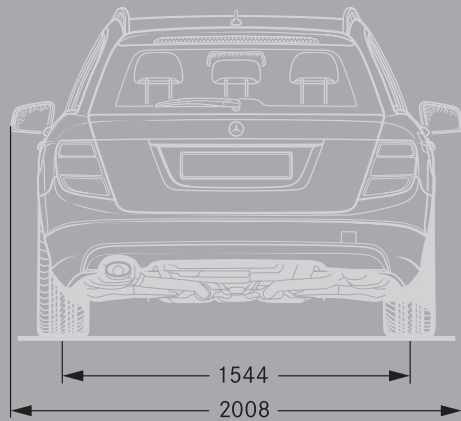
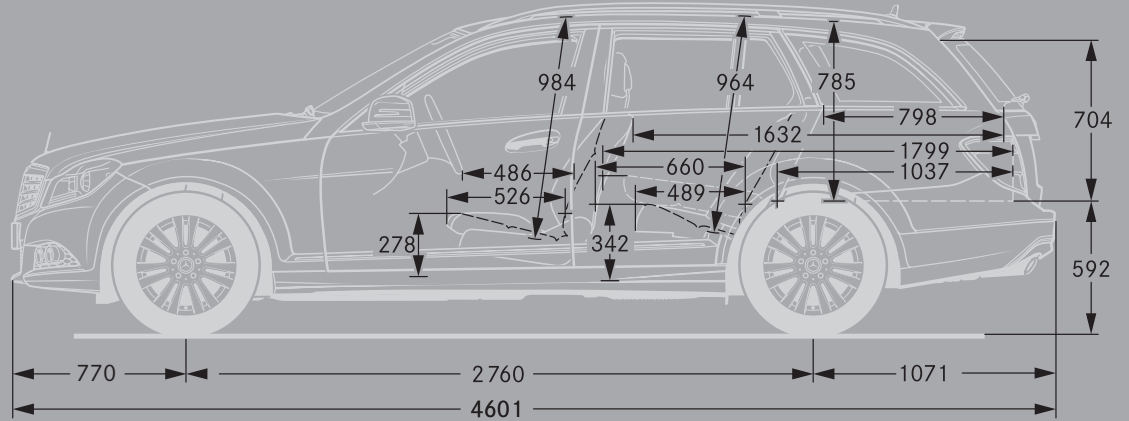
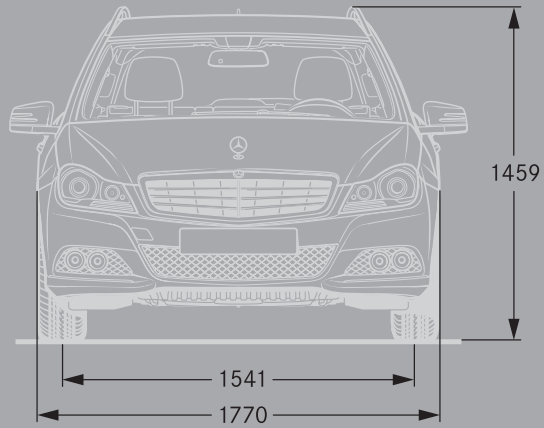
17" 5-twin-spoke light-alloy wheels  
(Standard for C 200 Estate Style)



17" 5-twin-spoke AMG light-alloy wheels<sup>1</sup>  
(Standard for C 200 Estate Luxury Sport, optional for  
C 200 Estate Style)

<sup>1</sup>Included in AMG sports package, MSRP RMB 28,000

# Dimensions



All dimensions in millimetres. The dimensions shown are mean values and apply to standard-specification, unladen vehicles.

Please note: changes may have been made to the product since the brochure went to press (09.2014). The manufacturer reserves the right to make changes to the design, form, color and specification of any Mercedes-Benz vehicle during the lifecycle period, provided these changes, while taking into account the interests of the dealer, can be deemed reasonable with respect to the purchaser. The illustrations may include accessories and optional extras which do not form part of the standard specification. Actual colours may differ slightly from those shown owing to the limitations of the printing process. Some of the models, features, optional extras, colours and/or services shown may not be available in China or may only be available in a different specification. Actual colors may differ slightly from those shown owing to the limitations of the printing process.

For current and more specific information, please contact your local Mercedes-Benz authorized dealers or call Customer Assistance Center at 400-818-1188.

[www.mercedes-benz.com.cn](http://www.mercedes-benz.com.cn)