

# 2

Polestar

—  
Fleet and business





“Polestar 2 is a new icon of electric mobility. A futuristic fusion of avant-garde design and innovative technology that serves as an exciting template for what is to come from Polestar.”

Maximilian Missoni  
Head of design, Polestar

## Polestar 2

Goodbye annual fuel budgets and extensive maintenance costs. Hello smaller carbon footprint and improved continuity. Making the shift to a fully electric fleet leads to better business. And you'll be surprised how many customers notice. Designed for the age of electrification, bold graphics, clear-cut architecture and sensual surfaces give the Polestar 2 a confident stance. Dark sections run along the lower edges and around the wheel arches to complete the look. The theme continues at the back with the crystal light blade that runs across the entire rear of the car to create a unique light signature. All these elements come together in a minimalist and futuristic approach that looks beyond conventional car design.

4

Sculptured surfaces communicate the technical design language of the Polestar 2. Polestar emblems are colour coded at the front and rear of the car. The logo is reflected into the panoramic glass roof.



5

A practical fastback design with a combined luggage capacity of 440 litres. The rear crystal light blade consists of 288 LEDs that illuminate the full width of the car to give a unique lighting signature.





## Charging and range

One of the biggest differences between conventional and electric driving is the way you think about fuel. Instead of driving to a petrol station to refill an empty fuel tank, electric cars redefine parking time as charging time.

So every time you park, you plug it in and top it up. This simple behavioural change will cover your energy needs for most business driving. And for those longer journeys, there's an extensive and ever-growing infrastructure of public charging stations. Polestar 2 can charge in as little as 40 minutes and takes less effort than refuelling a conventional vehicle.

With the right facilities available, the battery can be charged when the car is parked at home, at work, in a car park or at a designated public charging point.

The Long range Dual motor drivetrain (the most powerful of the three variants available) gives a total range of 470 km (WLTP). This is dependent on a number of factors including the frequency and length of journeys, driving style and daily driving conditions.

The infotainment system makes life on the road super easy. Live traffic updates mean you always find the fastest route to your destination. Music and podcast services stream your favourite sounds and business information as you drive.



## Technology

The Polestar 2 is the first car in the world with an infotainment system powered by Android, with access to Google Assistant, Google Maps and Google Play Store. Forget scrolling with your phone: the Polestar 2 runs native automotive apps that effortlessly integrate with the infotainment system and add new dimensions to your everyday life. You can navigate, stream music or ask Google whatever you like. This is the new era of the truly connected car.

Polestar emblem color coded in Thunder to match the Polestar 2 body colour. The Grid is Polestar's answer to the traditional front grille. This is where Polestar integrates its sensor technology including the 360° camera (Pilot pack) and the radar sensor.



The Polestar 2 side mirrors are a perfect example of our aesthetic approach. Their clean, frameless design is the result of a process of carefully stripping away unnecessary elements to reveal form and function in their simplest expression.



The Pixel LED headlight (Pilot pack). A total of 84 pixel LEDs are individually controlled to produce a high-precision beam that reduces glare. The light module shades out upto five vehicles in oncoming traffic and can be driven permanently on high beam.



## Interior

The Polestar 2 interior is from the masters of avant-garde design. Scandinavian style that brings personality to digital innovation and redefines premium for the electric age.

The award-winning WeaveTech upholstery is fully vegan and free from animal products. It is a water-based (not solvent-based), dirt and moisture resistant material inspired by sportswear and scuba divers' wetsuits. A new premium material with its own identity and unique characteristics.

The interior inserts are also carefully considered. Reconstructed wood deco is made from reused birch wood and is sliced and bonded together to preserve as much natural material as possible. Black ash reinforces the avant-garde look and is also used in a way that saves material and uses more veneer. 3D Etched deco communicates a technical look.

The gear selector moves away from conventional sporting tradition and is instead designed as a technical piece that has a rich and interesting identity all of its own.



There's nothing standard about the interior of the Polestar 2. Technical and progressive design language is brought to life with modern materials and fresh colours that create a futuristic combination of style and simplicity.





1. Inverter
2. Rear Axle Drive, 150kW / 330Nm\*
3. Traction Battery, 78kWh\*\*
4. Front Axle Drive, 150kW / 330Nm\*\*\*
5. Inverter + DC/DC, 150kW / 3kW
6. On Board Charger, 11kW

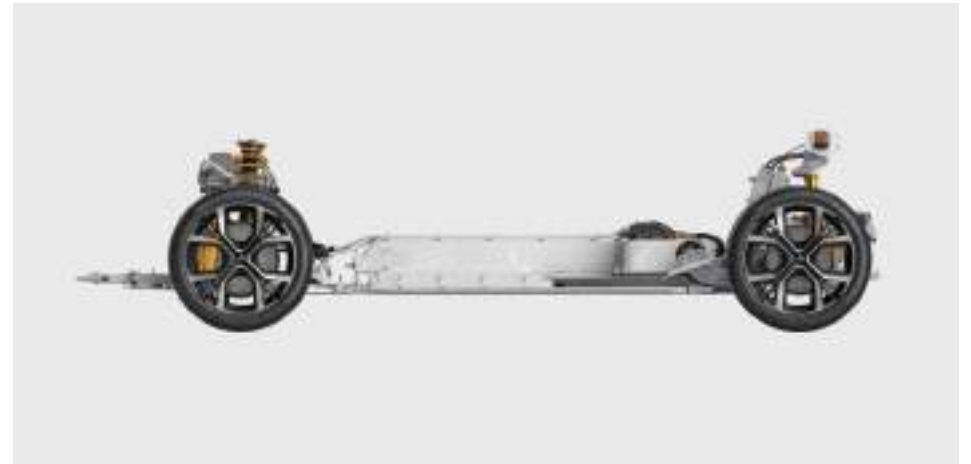
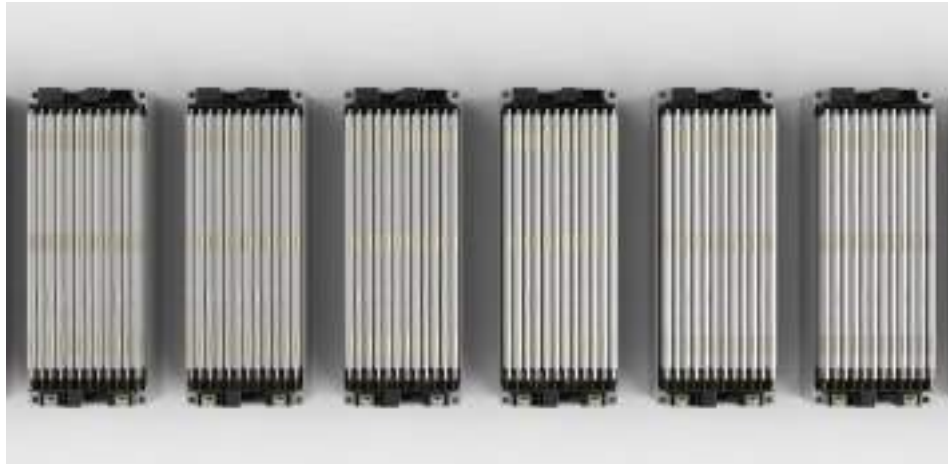
- \* Long range Dual motor only
- \*\* Standard range Single motor 64 kWh
- \*\*\* Standard range Single motor 165 kWh

## Electrification

This is the heart of Polestar 2. A state-of-the-art electric powertrain is available with either Dual or Single electric motors. Total output in the most powerful Long range Dual motor variant is 300 kW and 660 Nm.

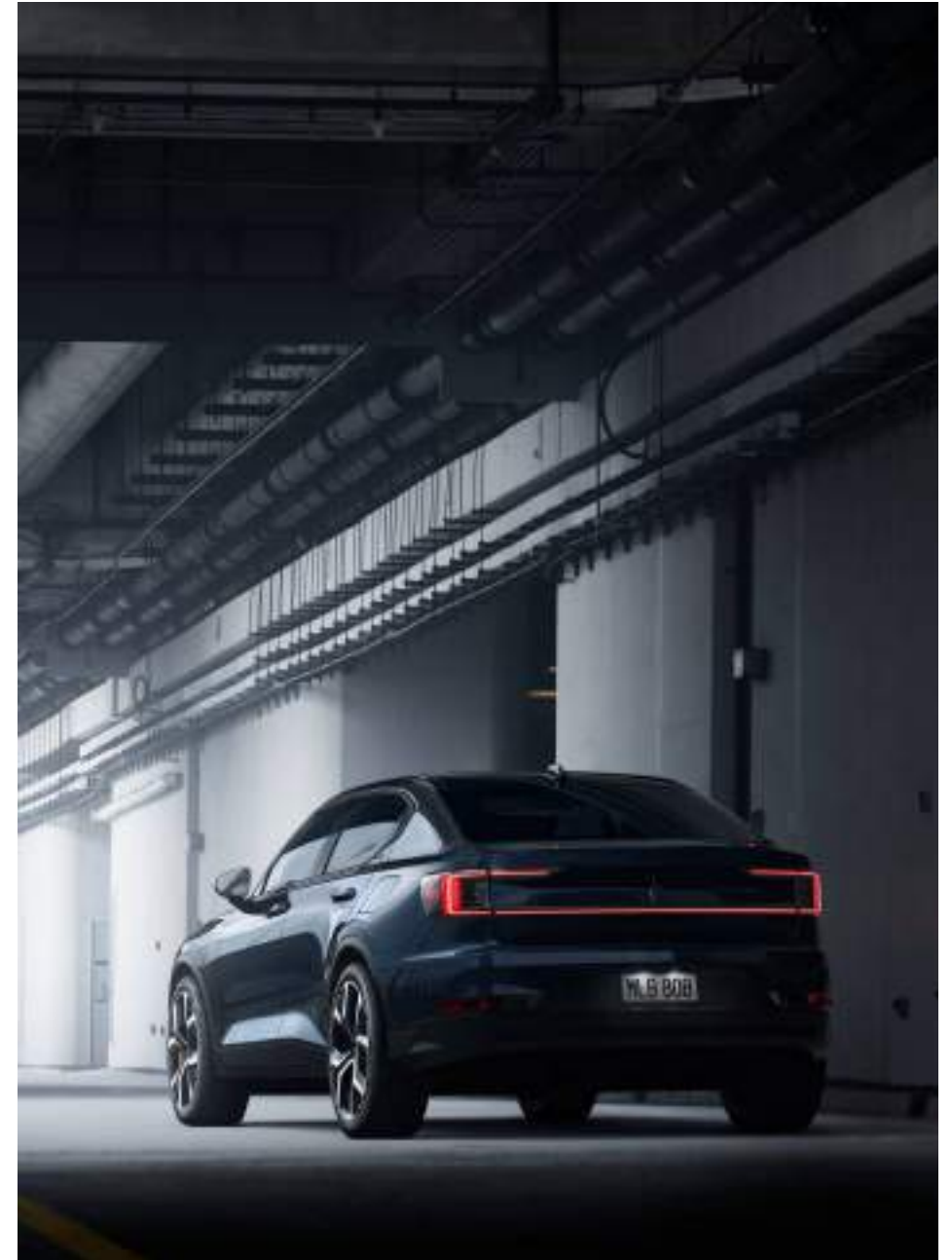
To make this possible, the battery cells are stored in modules and integrated into the battery enclosure. Cooling plates have also been added for advanced temperature management. An aluminium base and steel lid protect the batteries and the enclosure is inserted into the base body structure.

Polestar 2 is not only 100% electric, but also quieter. Noise levels are reduced from a conventional 74.3 dB(A) by -3.7dB(A). Enjoy the silence in the Polestar 2.



## Long range Dual motor

Electric motors	Dual electric motors (Single motor on front and rear axle)
Power	300 kW / 408 hp
Torque	660 Nm
Range (MY21 certified figures)	470 km WLTP (Europe) 233 miles EPA (USA/Canada) 450 km NEDC (China)
Batteries	78 kWh (Europe, China and USA/Canada) 27 modules
0 – 100 km/h	4,7 secs



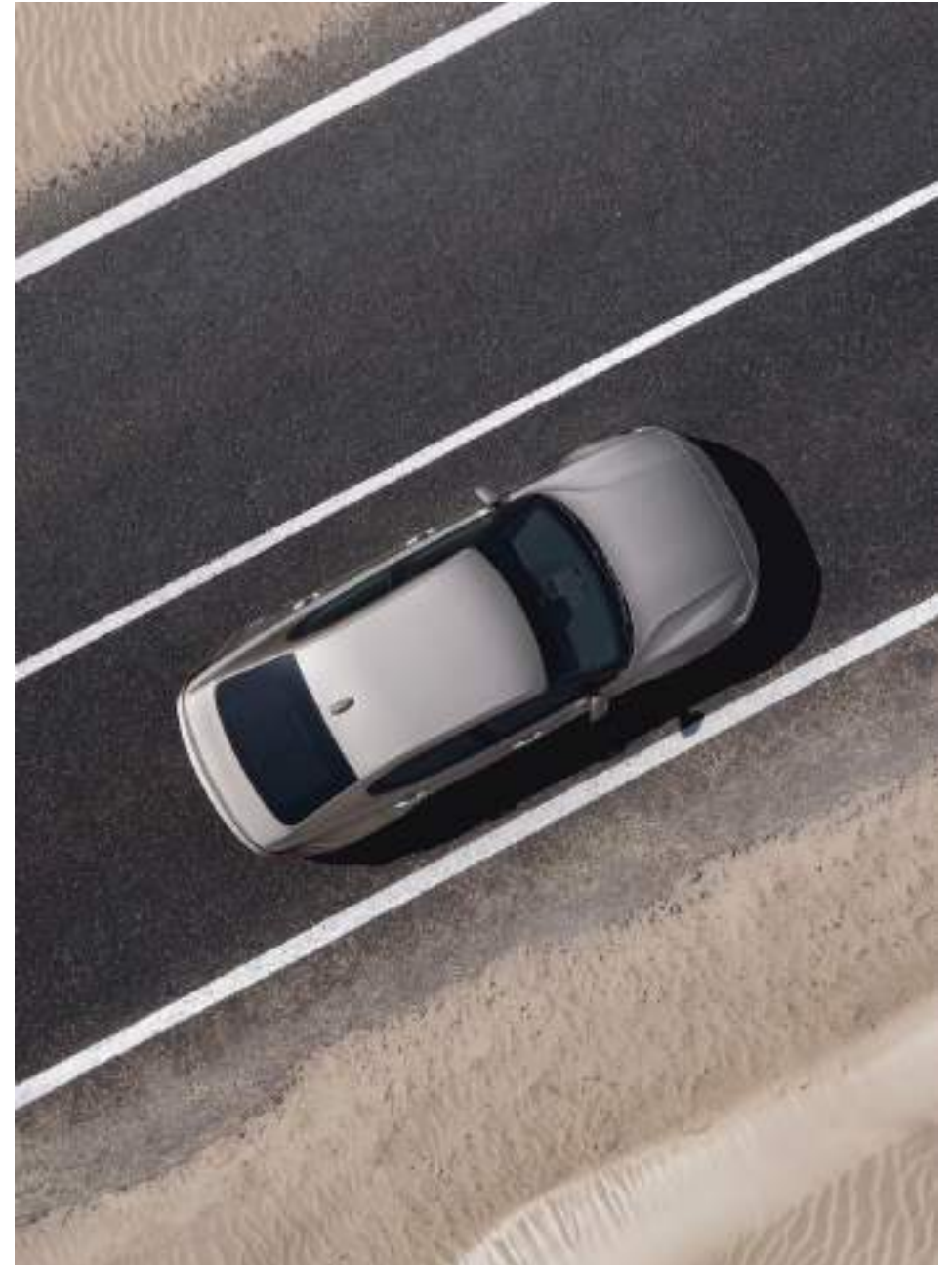
## Long range Single motor

Electric motors	Single electric motor (Front axle)
Power	170 kW / 231 hp
Torque	330 Nm
Range (Not yet certified)	WLTP (Europe) EPA (USA/Canada) NEDC (China)
Batteries	78 kWh (Europe, China and USA/Canada) 27 modules
0 – 100 km/h	7,4 secs (Preliminary data)



## Standard range Single motor

Electric motors	Single electric motor (Front axle)
Power	165 kW / 224 hp
Torque	330 Nm
Range (Not yet certified)	WLTP (Europe) NEDC (China)
Batteries	64 kWh (Europe & China) 24 modules
0 – 100 km/h	7,4 secs (Preliminary data)





## Performance

The Polestar 2 offers an engaging driver experience. With the battery mounted in the base body structure, the result is a car body with +35% more torsional stiffness (than a standard car) and a very low centre of gravity. This is crucial in enabling the agile, sporty driving feel that makes the Polestar 2 a true electric performance car.

For those that want more, there is the Performance pack\*. This features brakes by Italian manufacturer Brembo. Finished in Swedish gold, the mono-block aluminium calipers offer increased brake rigidity, uniform brake pressure and performance, and quick response regardless of temperature. The Performance pack also features Dual Flow Valve (DFV) dampers from renowned suspension manufacturer Öhlins. These dampers allow the wheels to maintain unparalleled grip and traction, leading to a more responsive ride.

Forged 20" alloy wheels provide less unsprung weight, increased strength, maximum road contact, and feature gold-coloured valve caps to match the calipers. In fact, sports seatbelts are also included. In gold of course.

\*Long range Dual motor only

4-piston performance brakes by Italian manufacturer Brembo are accompanied by enlarged drilled and ventilated brake discs at the front.



“By pushing ourselves to create a completely climate-neutral car, we are forced to reach beyond what is possible today. We will have to question everything, innovate and look to exponential technologies as we design towards zero.”

Thomas Ingenlath  
CEO, Polestar

## Sustainability

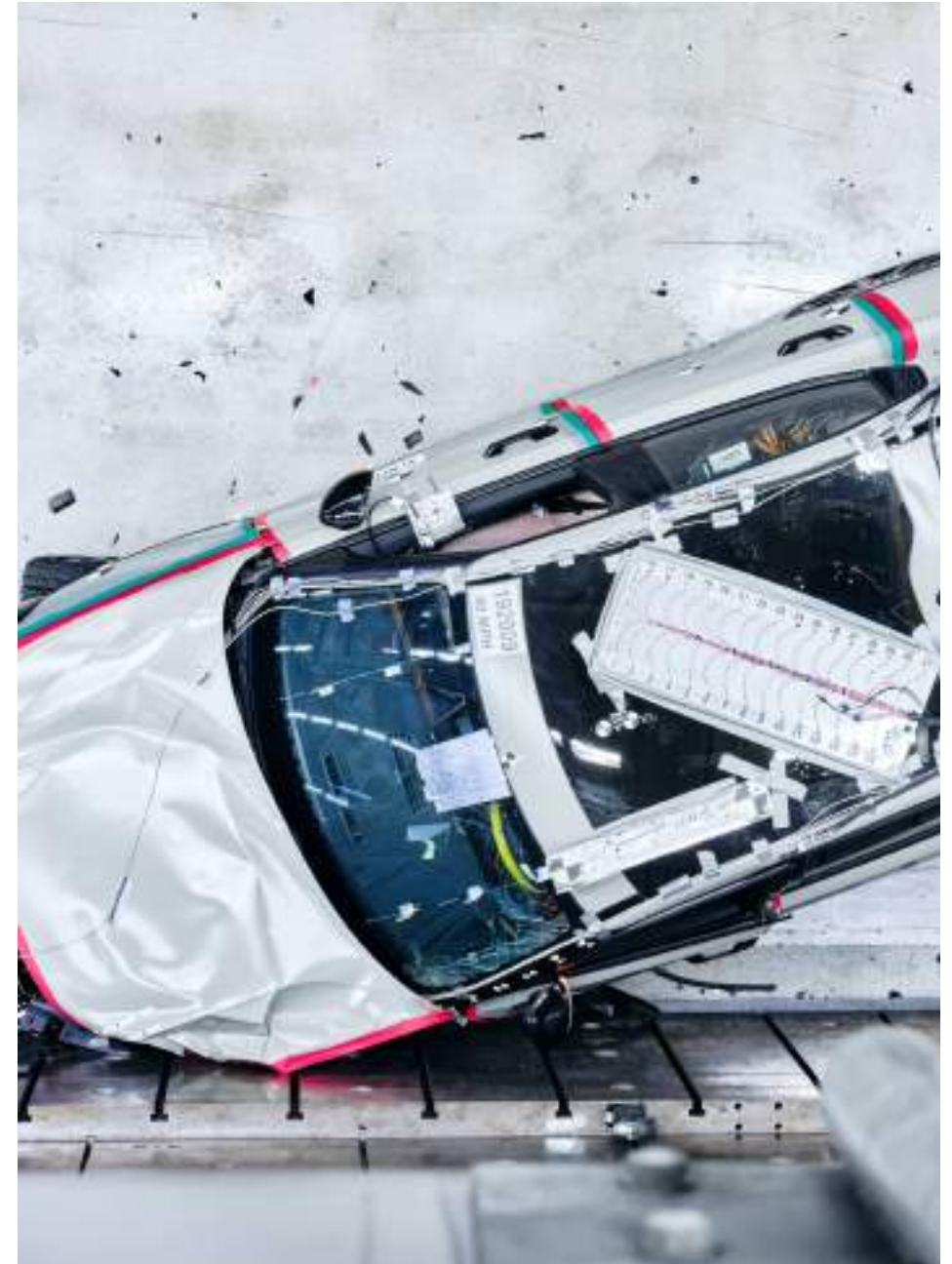
To choose the right path, one must know the destination. At Polestar, we're determined to improve the society we live in by accelerating the change to a fully electric future, focusing on climate neutrality, circularity, transparency and inclusion. Let's call it the greenprint. We are the change we know needs to happen, acting as the guiding star to usher the whole automotive industry in the right direction.

Polestar 0 project will drive a 'design towards zero' focus that aims to eliminate emissions; not offset them by planting trees. Sustainability declarations, common in industries like food and fashion, will be applied to all future Polestar models. Starting with the Polestar 2, these will initially disclose carbon footprint and traced risk materials. The labelling will appear on the company website and in Polestar Spaces, setting a unique precedent of transparency for the industry. Additional details and information pertaining to sustainability updates will be added to the declarations over time.

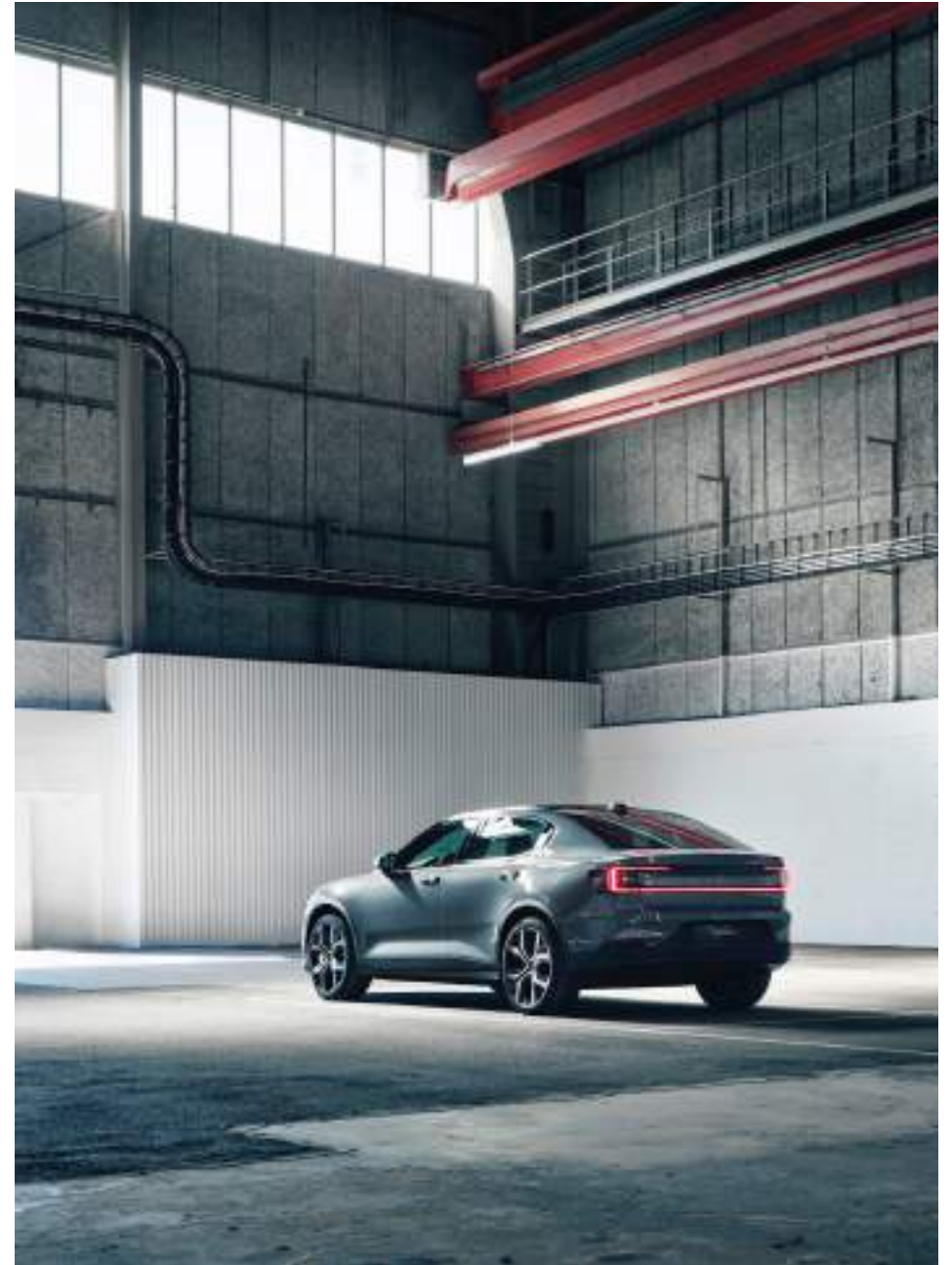


## Safety

Polestar 2 is one of the safest electric vehicles ever tested by Euro NCAP, achieving a five-star rating. Safety equipment is of the highest level with a minimum of eight airbags including inner-side airbags, to the Front Lower Load Path and Severe Partial Offset Collision (SPOC) Block, that are designed to mitigate impact on the battery pack and passenger compartment alike. High-tech safety systems aim to ensure that safety extends beyond structural integrity and occupant protection, including vehicle, cyclist and pedestrian detection support, as well as lane- and roadside departure warning and mitigation systems. The highly advanced Pilot Assist driver assistance system uses a radar and a camera to assist with acceleration, braking and steering at speeds of up to 130 km/h.



The rear crystal light blade uses 288 power LEDs to display a carefully choreographed and unique illumination sequence (Pilot pack only).



## Exterior colours

### Snow

A white metallic that makes Polestar 2 look like it's from outer space. A crisp, clean and futuristic look that reflects the electric era.

### Moon

A metallic finish using the sand spectrum of colors that creates a very modern product look.

### Midnight

An elegant and premium-looking deep blue metallic that perfectly captures the Polestar 2's pressed metal details and sleek fastback form.

### Magnesium

A technical finish incorporating fine metallic flakes. Appears solid in low light but reveals its range in increased light conditions.

### Thunder

A chameleon of the grey scale. Appears to be a solid grey, but close inspection reveals a metallic hue that makes it stand out.

### Void

A solid black that radiates elegance but also an inner menace that can only be found in the darker shades.



Void



Thunder



Magnesium



Midnight



Moon



Snow

# Interior



Slate WeaveTech



Charcoal WeaveTech



Barley ventilated Nappa leather



Zink embossed textile



Charcoal embossed textile



Black ash deco panel



3D Etched deco panel



Reconstructed wood deco panel



Slate interior with Black ash deco panels



Charcoal interior with Black ash deco panels



Barley interior with Reconstructed wood deco panels

## Wheels



20" 4-Y Spoke Black Polished Forged Alloy Wheel (Performance pack only)



20" 4-V Spoke Black Diamond Cut Alloy Wheel



19" 5-V Spoke Black Diamond Cut Alloy Wheel

## Package structures

---

### Pilot pack

- Pilot Assist
  - Adaptive Cruise Control (ACC)
  - Emergency Stop Assist
  - Blind spot information system with steer assist (BLIS)
  - Cross Traffic Alert (CTA) with brake support
  - Rear Collision Warning & Mitigation (RCWM)
  - 360° camera
  - Park Assist side
  - Pixel LED headlights
  - Light sequences
  - LED front fog lights with cornering lights
  - Automatically dimmed exterior mirrors
- 

### Plus pack

- Fixed panoramic sunroof including projected Polestar symbol
  - WeaveTech (Charcoal or Slate) seats with Black ash deco inlays
  - Heated rear seat, steering wheel and wiper blades
  - Interior high-level illumination
  - Harman Kardon Premium Sound (13 speakers, 600W)
  - Inductive charging 15W for smartphone
  - Rear floor "lid in lid" with bag holder
  - Full power seats including 4-way power lumbar support (memory on driver seat), mechanical cushion extension and backrest storage nets
- 

### Performance pack

- Öhlins Dual Flow Valves shock absorbers
- Gold Brembo 4-piston aluminium front calipers
- Performance summer tyres
- Gold seat belts front and rear
- High gloss black roof segment\*
- 20" 4-Y Spoke Polished Forged Alloy Wheels with gold valve caps

\* Only when ordered together with Plus pack

---



## Extras

Extras available (market dependent):

- Tow bar
- Load carrier
- Charging cables
- Child seat – rearward facing
- Child seat – booster cushion
- Snow chains
- AutoSock
- Plastic mats for passenger compartment
- Reversible and foldable textile mat for cargo compartment
- Mounting floor eyelets for simplifying mounting of child seat\*
- Complete winter wheels 19" \*\*
- Complete winter wheels 20" \*\*

\*Only Nordic markets

\*\*Friction (Deep tread) or studded tyres in Nordic & EU



## Technical data

### Dual motor Long range

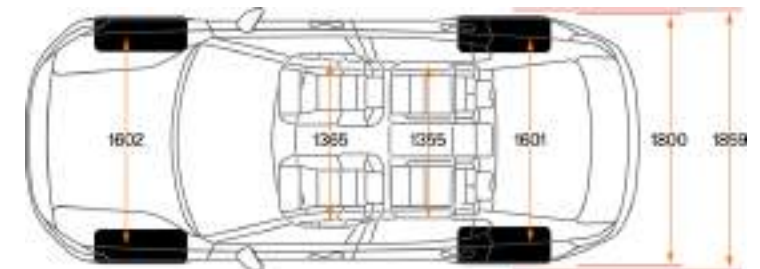
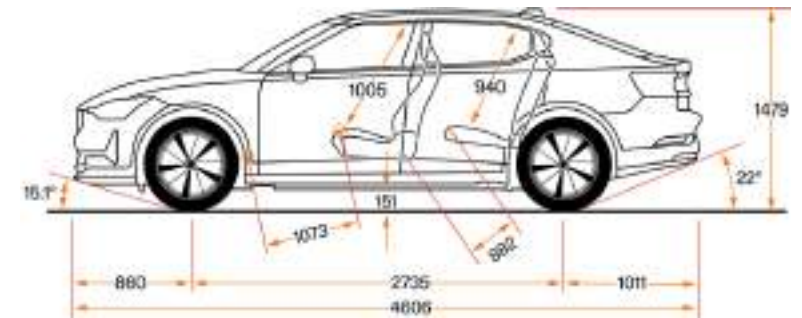
Gross weight (kg):	2600
Kerb weight (kg):	2113
Dimensions (mm):	L:4606 W:1859 H:1479
Wheelbase (mm):	2736
Tyre specs:	245/40R20, 245/45R19
Luggage volumes (litres):	440

### Single motor Long range

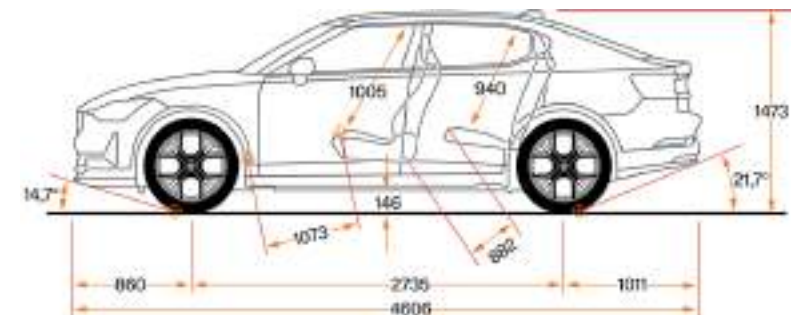
Gross weight (kg):	2490
Kerb weight (kg):	1994
Dimensions (mm):	L:4606 W:1859 H:1479
Wheelbase (mm):	2736
Tyre specs:	245/40R20, 245/45R19
Luggage volumes (litres):	440

### Single motor Standard range

Gross weight (kg):	2390
Kerb weight (kg):	1940
Dimensions (mm):	L:4606 W:1859 H:1479
Wheelbase (mm):	2736
Tyre specs:	245/40R20, 245/45R19
Luggage volumes (litres):	440



### Performance pack



## Total cost of ownership

To calculate Total Cost of Ownership (TCO) a balanced comparison of all costs is needed. These include the purchase price, depreciation, maintenance, running costs, fuel, insurance, taxation, grants and subsidies. In many countries the Total Cost of Ownership for electric vehicles is now equal or lower than the equivalent ICE.

In terms of running costs, electricity costs less than most traditional fuels. Service intervals are fewer due to less moving parts. EVs are also supported by government incentives, tax support and accounting. The charging infrastructure continues to expand.

And when it comes to sustainability, zero tailpipe emissions and zero lifecycle emissions are good for individuals, businesses and the bottom line.



## Spaces

Sometimes there's no substitute for actually sitting in the driving seat, trying out the infotainment system, and kicking the tyres in person. Unlike conventional showrooms, Polestar Spaces are carefully designed, unique retail environments. Get to know our cars at your own pace, right in the middle of the city. No salespeople. No pressure. You can learn everything about our cars and even buy them online.



## Six reasons to add Polestar 2 to your fleet

### 1. Smaller carbon footprint

Goodbye fuel stations and annual fuel budgets. Hello smaller carbon footprint and green credentials. Making the shift to a fully electric fleet helps to match corporate objectives on emissions and leads to better business. You'll be surprised how many customers notice.

### 2. Improve your bottom line

Many countries offer grants and tax incentives to change to fully electric cars. The ongoing cost of ownership is also an important consideration. As well as saving thousands of pounds each year in fuel costs, your company will benefit from lower maintenance costs, and possibly also from local incentives that make electric driving even more attractive.

### 3. Reach your customers

The Polestar 2 is a fully electric five-door fastback with a range of up to 470km (WLTP). It's the first car in the world with Google built-in. This gives drivers access to Google Assistant, Google Maps and Google Play Store. All apps available are approved for automotive use and you can optimise routes and view relevant charging locations.

### 4. Minimal downtime

The electric drivetrain of the Polestar 2 has far less moving parts than you find in a conventional car. This means that the service intervals are further apart and that the operating costs are considerably lower. To reduce downtime even more, service points can offer convenient pick-up and delivery, as well as replacement cars.

### 5. At the forefront of safety

Polestar 2 has a 5-Star Euro NCAP rating, the highest of any EV according to 2020 protocols. As we share engineering expertise with Volvo, the car is equipped with the latest safety technology, including the most advanced driver assistance systems. Wherever your travels take you, you have an ever-present co-pilot to back you up.

### 6. Hands-free working with Google

Relax, keep your hands on the steering wheel and use your voice to plan a meeting or write a reminder. The Polestar 2 is the first car to use Google's Android Automotive operating system, offering the natural voice recognition of Google Assistant and seamless integration with Workspace, Google's cloud-native suite of business apps.



## Polestar

—  
Polestar Performance AB  
Assar Gabrielssons Väg 9  
405 31 Göteborg, Sweden

## Connect

[polestar.com](https://polestar.com)  
[globalfleet@polestar.com](mailto:globalfleet@polestar.com)  
[facebook.com/polestarcars](https://facebook.com/polestarcars)  
[instagram.com/polestarcars](https://instagram.com/polestarcars)  
[twitter.com/polestarcars](https://twitter.com/polestarcars)  
[youtube.com/polestar.com](https://youtube.com/polestar.com)  
[linkedin.com/company/polestarcars](https://linkedin.com/company/polestarcars)

## Visiting address:

Polestar HQ  
Assar Gabrielssons Väg 9  
418 78 Göteborg

## Copyright

All rights reserved.  
No part of this brochure may be reproduced, distributed or transmitted in any manner without the expressed written consent of Polestar Performance AB.

© 2021 Polestar Performance AB

The Polestar trademarks are owned by Polestar Holding AB. Other product names, trademarks and company names are property of their respective owners.