



The EQE

Effective from August 2022 Production.

MERCEDES-EQ



[Book a test drive](#)[Buy your EQE](#)[Find a Retailer](#)

Some of the model features, optional extras and colours shown may not be available, or may only be available in a different specification, or at a different price.

Design	Sustainability	Technology	Safety	Mercedes-EQ	Model lines and upholstery	Model prices	Mercedes-AMG and upholstery	Mercedes-AMG prices	Personalisation	Standard equipment	Genuine accessories	Technical data	Additional information
------------------------	--------------------------------	----------------------------	------------------------	-----------------------------	--	------------------------------	---	-------------------------------------	---------------------------------	------------------------------------	-------------------------------------	--------------------------------	--

[Book a test drive](#)[Buy your EQ](#)[Find a Retailer](#)

Some of the model features, optional extras and colours shown may not be available, or may only be available in a different specification, or at a different price.

Design	Sustainability	Technology	Safety	Mercedes-EQ	Model lines and upholstery	Model prices	Mercedes-AMG and upholstery	Mercedes-AMG prices	Personalisation	Standard equipment	Genuine accessories	Technical data	Additional information
------------------------	--------------------------------	----------------------------	------------------------	-----------------------------	--	------------------------------	---	-------------------------------------	---------------------------------	------------------------------------	-------------------------------------	--------------------------------	--



Book a test drive



Buy your EQE



Find a Retailer



Some of the model features, optional extras and colours shown may not be available, or may only be available in a different specification, or at a different price.

Design	Sustainability	Technology	Safety	Mercedes-EQ	Model lines and upholstery	Model prices	Mercedes-AMG and upholstery	Mercedes-AMG prices	Personalisation	Standard equipment	Genuine accessories	Technical data	Additional information
--------	----------------	------------	--------	-------------	----------------------------	--------------	-----------------------------	---------------------	-----------------	--------------------	---------------------	----------------	------------------------

[Book a test drive](#)[Buy your EQ](#)[Find a Retailer](#)

Some of the model features, optional extras and colours shown may not be available, or may only be available in a different specification, or at a different price.

Design	Sustainability	Technology	Safety	Mercedes-EQ	Model lines and upholstery	Model prices	Mercedes-AMG and upholstery	Mercedes-AMG prices	Personalisation	Standard equipment	Genuine accessories	Technical data	Additional information
------------------------	--------------------------------	----------------------------	------------------------	-----------------------------	--	------------------------------	---	-------------------------------------	---------------------------------	------------------------------------	-------------------------------------	--------------------------------	--

[Book a test drive](#)[Buy your EQE](#)[Find a Retailer](#)

Some of the model features, optional extras and colours shown may not be available, or may only be available in a different specification, or at a different price.

Design	Sustainability	Technology	Safety	Mercedes-EQ	Model lines and upholstery	Model prices	Mercedes-AMG and upholstery	Mercedes-AMG prices	Personalisation	Standard equipment	Genuine accessories	Technical data	Additional information
------------------------	--------------------------------	----------------------------	------------------------	-----------------------------	--	------------------------------	---	-------------------------------------	---------------------------------	------------------------------------	-------------------------------------	--------------------------------	--



Book a test drive



Buy your EQE



Find a Retailer

EQE

Sustainability



Design

Sustainability

Technology

Safety

Mercedes-EQ

Model lines
and upholstery

Model prices

Mercedes-AMG
and upholstery

Mercedes-AMG
prices

Personalisation

Standard
equipment

Genuine
accessories

Technical data

Additional
information



Book a test drive



Buy your EQE



Find a Retailer

Sustainable production.

All our Mercedes-Benz factories around the world plan to be CO₂ neutral by 2022.



Sustainable materials.

To ensure the responsible mining of cobalt, lithium and other battery raw materials, Mercedes-Benz has already made the IRMA Standard for Responsible Mining a contractual component for all future vehicle projects.

Sustainable mobility.

Locally emission-free driving pleasure, virtually silent with full access to inner city zones. All our EQ vehicles come as standard with an external acoustic warning to alert pedestrians or cyclists at speeds under 19 mph.



Design

Sustainability

Technology

Safety

Mercedes-EQ

Model lines and upholstery

Model prices

Mercedes-AMG and upholstery

Mercedes-AMG prices

Personalisation

Standard equipment

Genuine accessories

Technical data

Additional information



Book a test drive

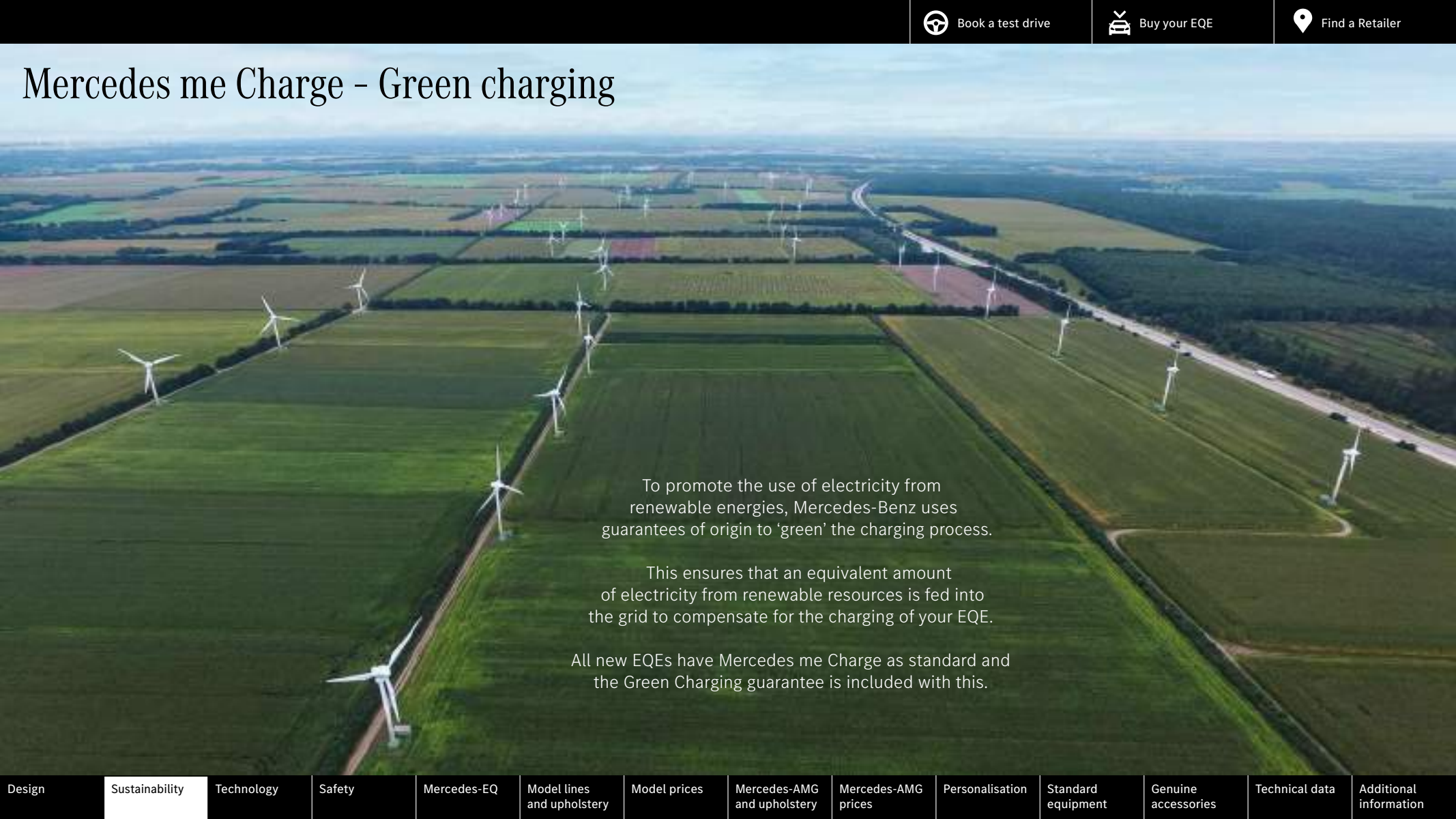


Buy your EQE



Find a Retailer

Mercedes me Charge - Green charging



To promote the use of electricity from renewable energies, Mercedes-Benz uses guarantees of origin to 'green' the charging process.

This ensures that an equivalent amount of electricity from renewable resources is fed into the grid to compensate for the charging of your EQE.

All new EQEs have Mercedes me Charge as standard and the Green Charging guarantee is included with this.

Design	Sustainability	Technology	Safety	Mercedes-EQ	Model lines and upholstery	Model prices	Mercedes-AMG and upholstery	Mercedes-AMG prices	Personalisation	Standard equipment	Genuine accessories	Technical data	Additional information
--------	----------------	------------	--------	-------------	----------------------------	--------------	-----------------------------	---------------------	-----------------	--------------------	---------------------	----------------	------------------------



Book a test drive



Buy your EQE



Find a Retailer



EQE

Technology

Design	Sustainability	Technology	Safety	Mercedes-EQ	Model lines and upholstery	Model prices	Mercedes-AMG and upholstery	Mercedes-AMG prices	Personalisation	Standard equipment	Genuine accessories	Technical data	Additional information
------------------------	--------------------------------	----------------------------	------------------------	-----------------------------	--	------------------------------	---	-------------------------------------	---------------------------------	------------------------------------	-------------------------------------	--------------------------------	--

Mercedes me connect

Stay connected any time, anywhere.

Mercedes me

Mercedes me is a range of innovative online services designed to enhance your Mercedes-Benz experience. Accessible via mobile, tablet or PC, Mercedes me lets you enjoy the highest standards of care and support, in a way that integrates seamlessly with your busy lifestyle.

Safety and Service – Mercedes me connect helps to keep you and your car safe

Check your car's washer fluid level, tyre pressure and battery level from your phone so you'll be ready for every journey.



Comfort – connect to your car anytime, anywhere

Forgot to lock your car? With Remote Car Lock² you will receive a notification on your smartphone to let you know. With one tap, you can lock and unlock your vehicle so you never have to worry.

Mercedes-EQ specific services

Check your charging status on the go and programme your pre-entry climate control and charging settings remotely. The Mercedes-EQ specific navigation considers electrical range, topography and charging stations.

Infotainment – Online and Entertainment services from Mercedes me connect

Love music? Get a 3-month free subscription to Tidal when you connect your car.

Live Traffic Information, Parked Vehicle Locator and much more with Mercedes me connect

Forgot where you've parked? Parked Vehicle Locator¹ will show you exactly where your car is as long as you're in a 1-mile radius of where you parked. Real-time traffic data and dynamic route with shorter journey times.

For more information speak to your local Retailer or visit the Mercedes me connect store at shop.mercedes-benz.com/en-gb/connect



¹Available on all models with the Vehicle Monitoring package. This option may vary between standard and additional cost dependent on the model

²Part of the Vehicle Status package. This option may vary between standard and additional cost dependent on the model

Images shown are for illustration purposes only

Mercedes-Benz User Experience (MBUX)

Transforming the in-car user experience, thanks to MBUX: Controlled via voice, touch or gesture (where fitted) input, the innovative infotainment system can over time even predict personal habits thanks to artificial intelligence.

Voice control

- Activated by the keywords “Hey Mercedes”, the new intelligent voice control LINGUATRONIC¹ lets you control many of the infotainment functions, including destination input, phone calls or music selection
- MBUX is able to understand different accents and will adjust to you over time
- MBUX even understands indirect commands. Feeling chilly? Just say “I feel cold” and MBUX will adjust the temperature for you
- MBUX is able to understand which individual seat the request has come from, and will therefore only respond to their specific request (e.g. adjusting the temperature for just the front passenger)

Touch inputs

- Beside voice control you can operate MBUX via touchscreen, the touch controls on the centre console, as well as touch control buttons on the steering wheel

Personalisation

- Turn the new EQE into your very own Mercedes-Benz by personalising driving modes, radio stations, ambient lighting and much more
- Your personal settings can be saved in up to seven different profiles, making your driving experience the best one possible
- Thanks to artificial intelligence, MBUX is able to learn and adapt over time. It will be able to predict your personal habits, such as navigation for frequently-driven routes, or the radio station you like to listen to on your way home from work

Maintenance and service

- Wondering when the next service is due? Or how much further you can drive until you need to stop at a charging station? Just ask your MBUX – it will tell you the answer



MBUX multimedia system

¹LINGUATRONIC off-board functions are currently only available for three years



Book a test drive



Buy your EQE



Find a Retailer

EQE

Safety

Design

Sustainability

Technology

Safety

Mercedes-EQ

Model lines
and upholstery

Model prices

Mercedes-AMG
and upholstery

Mercedes-AMG
prices

Personalisation

Standard
equipment

Genuine
accessories

Technical data

Additional
information

[Book a test drive](#)[Buy your EQE](#)[Find a Retailer](#)

DIGITAL LIGHT

 High-definition headlamps with innovative features

The new innovative DIGITAL LIGHT headlamps works like a projector with more than one million pixels per headlamp and responds with brilliant light to changing traffic, road or weather conditions. Its ULTRA RANGE Highbeam with 650 m makes you feel like driving at daylight.

Standard on AMG Line Premium Plus and Exclusive Luxury



Design	Sustainability	Technology	Safety	Mercedes-EQ	Model lines and upholstery	Model prices	Mercedes-AMG and upholstery	Mercedes-AMG prices	Personalisation	Standard equipment	Genuine accessories	Technical data	Additional information
------------------------	--------------------------------	----------------------------	------------------------	-----------------------------	--	------------------------------	---	-------------------------------------	---------------------------------	------------------------------------	-------------------------------------	--------------------------------	--

Driving Assistance package and Driving Assistance package Plus Cares for what matters.

The new EQE comes with standard ground-breaking innovations in safety, comfort and driving functions, to help you stay safe on the road.

Driving Assistance package¹ (code P79) – designed and priced as a package Standard on AMG Line Premium

Active Distance Assist DISTRONIC now responds to stationary road users to prevent collisions up to 80 mph (previously 37 mph)

Active Lane Keeping Assist with enhanced comfort thanks to active steering intervention (instead of braking intervention) and additional hazard indication

Blind Spot Assist



Active Lane Keeping Assist

Driving Assistance package Plus¹ (code P20) – designed and priced as a package Standard on AMG Line Premium Plus, Exclusive Luxury and all Mercedes-AMG models

Active Blind Spot Assist expanded with blind spot monitoring towards the front and side. Additional hazard indication of the blind spot warning system as well as exit warning function

Active Brake Assist with cross-traffic function now with turning manoeuvre function (responding to (among other things) crossing pedestrians when making a turn). Operating range on urban routes expanded to 74 mph (previously 44 mph)

Active Distance Assist DISTRONIC now responds to stationary road users to prevent collisions up to 80 mph (previously 37 mph)

Active Emergency Stop Assist: now able to assist in manual mode (previously only in DISTRONIC mode). Optional lane change by one lane (at 49 mph where no obstacles detected)

Active Evasive Steering Assist: now responds to cyclists and ends of tailbacks in addition to pedestrians. Operating range on urban routes expanded to 67 mph (previously 44 mph)

Active Lane Keeping Assist with enhanced comfort thanks to active steering intervention (instead of braking intervention) and additional hazard indication

Active Speed Limit Assist ensures detected speed limits are automatically adopted as the set speed for Active Distance Assist DISTRONIC

Active Traffic Sign Assist

Congestion emergency braking function

Emergency corridor function

Exit warning function when hand moves towards the door handles

Extended automatic restart on motorways

Hazard display via ambience lighting

Increased availability and cornering performance on carriageways with **Active Steering Assist**, more stern warnings to put hands on the steering wheel with new capacitive steering wheel

PRE-SAFE® PLUS and Impulse Side with body-raising function: when a rear-end collision threatens, PRE-SAFE® PLUS can initiate preventive measures, including warning following traffic and locking the brakes on standstill

Route-based speed adjustment with end of traffic jam function and Active Stop-and-Go Assist adaption of speed before curves, roundabouts and junctions with end of traffic jam function



Active Brake Assist

¹Our driver assistance and safety systems are aids and do not relieve you of your responsibility as the driver. Please take note of the information in the Owner's Manual and the system limits which are described therein



Book a test drive



Buy your EQ



Find a Retailer

EQE

Mercedes-EQ



Design	Sustainability	Technology	Safety	Mercedes-EQ	Model lines and upholstery	Model prices	Mercedes-AMG and upholstery	Mercedes-AMG prices	Personalisation	Standard equipment	Genuine accessories	Technical data	Additional information
--------	----------------	------------	--------	--------------------	----------------------------	--------------	-----------------------------	---------------------	-----------------	--------------------	---------------------	----------------	------------------------



Book a test drive



Buy your EQE



Find a Retailer

Benefits of driving Mercedes-EQ

MERCEDES-EQ

The EQE – 100% Electric Saloon from Mercedes-EQ.

Lower running costs

Did you know that electric cars could cost up to a third less than a diesel or petrol car to run, as well as being cheaper to maintain? We've partnered with Go Ultra Low, a joint Government and car industry campaign, to give you unbiased advice on making the switch to an electric car. Use Go Ultra Low's cost saving calculator to see how much you can save.

[› Discover more](#)

No road fund licence

Mercedes-EQ vehicles have no local emissions – this means you pay no road tax.

Cleaner vehicle discount

Mercedes-EQ battery electric vehicles are congestion charge and ultra low emission zone charge exempt in London and other cities.

Business benefits

With 100% first-year capital allowances¹ and 2% BIK tax, electric cars offer significant benefits to businesses and employees.

Performance

Instant torque provides a whole new dimension to driving performance.

Refinement

Acoustically optimised glass and a near-silent powertrain means that driving Mercedes-EQ provides a sensory experience of luxurious refinement.



[› Click here for more information](#)

¹100% first-year capital allowances only apply to vehicles less than 50 g CO₂/km

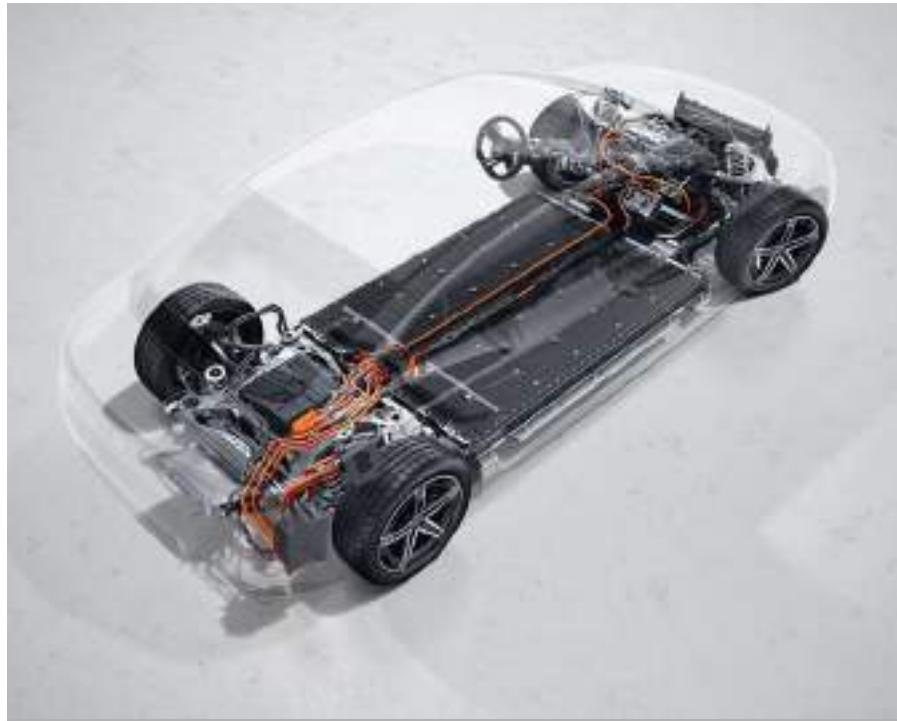
Design	Sustainability	Technology	Safety	Mercedes-EQ	Model lines and upholstery	Model prices	Mercedes-AMG and upholstery	Mercedes-AMG prices	Personalisation	Standard equipment	Genuine accessories	Technical data	Additional information
--------	----------------	------------	--------	-------------	----------------------------	--------------	-----------------------------	---------------------	-----------------	--------------------	---------------------	----------------	------------------------

[Book a test drive](#)[Buy your EQ](#)[Find a Retailer](#)

EQE

MERCEDES-EQ

Vehement power immediately from standstill: An electric motor at the rear axle converts electrical into mechanical energy, and delivers impressive forward thrust. The intelligent operating strategy of the powertrain components supplies the power always wherever it is needed at the moment – efficiently and nearly silently.



EQE 300

Battery electric vehicle, 245 hp/180 kW
Electric range: 346–384 miles – WLTP

Mercedes-AMG EQE 53 4MATIC+

Battery electric vehicle, 625 hp/460 kW
Electric range: 289–290 miles – WLTP

OTR from **£73,450¹**

OTR from **£113,855¹**

Standard equipment

AC charging system rated at 11kW AC

Charging cable for wallbox and public charging stations, Type 2 (Mode 3) – 5 metres

Charging socket

Comfort suspension

DC charging system rated at 170 kW DC


Pre-entry climate control


Radar-based recuperation

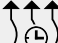
Technical details

Electric range ²	289–384 miles
Charging time	
Public Rapid charger (170 kW DC) 10–80% ³	32 mins
Wallbox (11 kW AC) 10–100% ⁴	8 hrs 30 mins
Range power consumption, combined ^{2,5}	224–167 Wh/km
Battery type (capacity)	lithium-ion (89–90.6 kWh)
Capacity on-board charger	11 kW AC; 170 kW DC

Attention

 Please be aware that external factors such as weather, gradient and ambient temperature amongst others can significantly impact range.

 Please also note that internal factors such as driving style and climate control settings etc. can also significantly impact range.

 Using the pre-entry climate control when plugged into a charge point will ensure the perfect ambience and ensure that your car is just how you like it, as well as making sure that your battery isn't used unnecessarily to heat/cool the vehicle (maximising range).

¹The recommended on-the-road price includes the Road Fund Licence applicable to the standard model plus delivery charge (£780.00 incl. VAT), new vehicle registration fee (£55.00) and number plates (£25.00 incl. VAT). VAT is calculated at the standard rate of 20%. Some of the model features, optional extras and colours shown may not be available, or may only be available in a different specification, or at a different price ²Figures shown are for comparability purposes; only compare with other cars tested to the same technical procedures. Figures may not reflect real life driving results, which will depend upon a number of factors including the starting charge of the battery, factory-fitted options, accessories fitted (post registration), variations in weather, driving styles and vehicle load. Further information about the test used to establish range, power consumption and CO₂ figures can be found at <http://www.mercedes-benz.co.uk/WLTP> ³Specified voltage and current values refer to network infrastructure and can be limited by the vehicle. Times are from 10–80% charge using public rapid charging at 170 kW ⁴Specified voltage and current values refer to network infrastructure and can be limited by the vehicle. Times are from 10–100% charge using a wallbox (three-phase) or standard socket (single-phase) ⁵Specified voltage and current values refer to network infrastructure and can be limited by the vehicle

[Book a test drive](#)[Buy your EQE](#)[Find a Retailer](#)

Mercedes me Charge Features

Mercedes *me*

Mercedes me Charge provides access to a multitude of public charging stations located in shopping centres, hotels or at motorway services. A smartphone app as well as the vehicle's navigation system show the precise location, current availability and price at the selected charging station.

Tens of thousands charging stations in the UK

Growing network of charging providers includes bp pulse the largest charging network in the UK. Customers also get six months free bp pulse membership which reduces the electricity price when charging.



Access to fast-charging stations

Enables customers to get access to charging stations of different providers with:

- Mercedes me app
- RFID card
- Mercedes-EQ Vehicle Head unit

Charging settings and pre-entry climate control

Enjoy your feel-good temperature when you enter your vehicle. You can simply preheat or precool the interior by setting the temperature via the Mercedes me app. In addition, the current charge status can be retrieved at any time using the Mercedes me app.

Navigation with Electric Intelligence

Offering you the greatest possible planning security on the road. Many items of information, such as a fast and convenient route, current state of battery charge, weather data and charging infrastructure, are interlinked. A convenient and time-efficient route is then suggested to you, including charging stops if necessary.

Charging with IONITY

Discounted IONITY rapid-charging for one year at all IONITY stations.

Green charging

All charging using Mercedes me Charge, will be retrospectively 'greened' by Mercedes-Benz. Please click [here](#) for more info.

Transparent and easy billing

One invoice charging processes for payment.

Easy access

Charging stations are displayed in Mercedes me app and in MBUX multimedia system.

No fees

Mercedes me Charge is standard with EQE.



Design	Sustainability	Technology	Safety	Mercedes-EQ	Model lines and upholstery	Model prices	Mercedes-AMG and upholstery	Mercedes-AMG prices	Personalisation	Standard equipment	Genuine accessories	Technical data	Additional information
------------------------	--------------------------------	----------------------------	------------------------	-----------------------------	--	------------------------------	---	-------------------------------------	---------------------------------	------------------------------------	-------------------------------------	--------------------------------	--

Mercedes me Charge Tariffs

For more transparency and predictability, enjoy numerous features tailored to your charging habits with the new Mercedes me Charge fixed-priced tariffs S, M and L. Owners of a new Mercedes-EQ model will be entitled to the Mercedes me Charge tariff L free of charge for the duration of 12 months.

Tariff L

Recommended for 'frequent drivers'

Choose our tariff L to benefit from the best fixed prices for public charging, including discounted rapid-charging at IONITY charging stations as well as all Mercedes me Charge features. This tariff is recommended for frequent and long-distance drivers.

Consisting of:

- All Mercedes me Charge features
- Fixed prices per kWh (AC: £0.30/kWh; DC: £0.39/kWh)¹
- IONITY rapid-charging stations discounted (£0.26/kWh)

Free of charge for the duration of 12 months.

Thereafter:

£16.20/month

Tariff M

Recommended for 'regular drivers'

Should you wish to downgrade your tariff package after 12 months but still want to benefit from fixed prices, discounted rapid-charging at IONITY charging stations and complete transparency, choose tariff M. This tariff is recommended for regular drivers.

Consisting of:

- All Mercedes me Charge features
- Fixed prices per kWh (AC: £0.35/kWh; DC: £0.45/kWh)¹
- IONITY rapid-charging stations discounted (£0.45/kWh)

£4.90/month

Tariff S

Recommended for 'casual drivers'

Should you wish to downgrade your tariff package after 12 months, there is the option to go for tariff S, which still offers you all the Mercedes me Charge features based on flexible prices per kWh. This tariff is recommended for casual drivers.

Consisting of:

- All Mercedes me Charge features
- Flexible prices per kWh

£0/month



¹Tariff rate excludes the BP Pulse charging network



Home charging with bp pulse Simple, convenient, fast charging.

Mercedes-Benz plug-in vehicle customers with off-street parking can benefit from the convenience and speed of charging at home by installing a home charger. Charge your vehicle with the home charger up to 3x faster than using a standard domestic socket.

Home charging with bp pulse: £999* incl. VAT and standard installation

Key benefits of bp pulse:

bp pulse is one of the only full-service charging solution providers in the UK – producing and installing tens of thousands of their own smart-enabled and reliable Homecharge units across the country.

A comprehensive 3 year warranty.

The standard installation package includes up to 15m of external cabling.

It comes with a bundled offer of 3 month free subscription to the public network and 250 free miles of charge.

The bp pulse home unit is designed from the ground up to be user friendly, future proofed and feature packed with an exciting roadmap of over the air updates ahead.

The bp pulse public network consists of over 9,000 charging bays across the UK. Average costs are between £0.30–£0.55 per kW across fast, rapid and ultra-rapid charge points with the best rates on a subscription basis.

Choice of tethered or un-tethered units

OZEV Grant:

You may be entitled to claim for an OZEV grant towards the cost of your home charger.¹ To find out whether you are entitled please contact your local Retailer.

Questions?

Please contact your local Retailer to submit an enquiry to your chosen charging partner on your behalf. To find your local Retailer, please click the button at the top right hand corner.

Warning!

If you are planning to charge your Mercedes-Benz plug-in electric vehicle using a 3-pin domestic plug socket you must get a qualified electrician to inspect and sign off the socket to confirm it is safe and suitable to charge your vehicle. Do not use an electric vehicle 3-pin charge cable with an extension cord.



*Price excludes £350 OZEV EVHS Grant. Price correct at time of publication, subject to change
¹The home charger £350 Grant (including VAT) is only available to customers who meet the criteria of the Office for Zero Emission Vehicles (OZEV). For full details and eligibility criteria for the OZEV EVHS Grant, see <https://www.gov.uk/government/publications/electric-vehicle-homecharge-scheme-guidance-for-customers-version-21>.

Design	Sustainability	Technology	Safety	Mercedes-EQ	Model lines and upholstery	Model prices	Mercedes-AMG and upholstery	Mercedes-AMG prices	Personalisation	Standard equipment	Genuine accessories	Technical data	Additional information
--------	----------------	------------	--------	-------------	----------------------------	--------------	-----------------------------	---------------------	-----------------	--------------------	---------------------	----------------	------------------------



Home charging with Pod Point Simple, convenient, fast charging.

Mercedes-Benz plug-in vehicle customers with off-street parking can benefit from the convenience and speed of charging at home by installing a home charger. Charge your vehicle with the home charger up to 3x faster than using a standard domestic socket.

Home charging with Pod Point: £875* incl. VAT and standard installation

Key benefits of Pod Point:

Pod Point is one of the leading provider of EV charging in the UK with over 120,000 home chargepoints installed.

A comprehensive 3 year 'swap out' warranty is included.

Auto Power Balancing lets you adjust your charge so that your electrical supply doesn't get overloaded when your home is using a lot of energy.

Built-in earthing protection removes the needs for expensive earth rods.

The Pod Point public network consists of over 6,200 charging bays across the UK with over 80% of the charge points free to use.

The standard installation package includes up to 15m of external cabling.

Choice of tethered or un-tethered units.

OZEV Grant:

You may be entitled to claim for an OZEV grant towards the cost of your home charger.¹ To find out whether you are entitled please contact your local Retailer.

Questions?

Please contact your local Retailer to submit an enquiry to your chosen charging partner on your behalf. To find your local Retailer, please click the button at the top right hand corner.

Warning!

If you are planning to charge your Mercedes-Benz plug-in electric vehicle using a 3-pin domestic plug socket you must get a qualified electrician to inspect and sign off the socket to confirm it is safe and suitable to charge your vehicle. Do not use an electric vehicle 3-pin charge cable with an extension cord.



*Price excludes £350 OZEV EVHS Grant. Price correct at time of publication, subject to change
¹The home charger £350 Grant (including VAT) is only available to customers who meet the criteria of the Office for Zero Emission Vehicles (OZEV). For full details and eligibility criteria for the OZEV EVHS Grant, see <https://www.gov.uk/government/publications/electric-vehicle-homecharge-scheme-guidance-for-customers-version-21>.



Book a test drive



Buy your EQE



Find a Retailer

EQE Model lines overview



Design	Sustainability	Technology	Safety	Mercedes-EQ	Model lines and upholstery	Model prices	Mercedes-AMG and upholstery	Mercedes-AMG prices	Personalisation	Standard equipment	Genuine accessories	Technical data	Additional information
--------	----------------	------------	--------	-------------	----------------------------	--------------	-----------------------------	---------------------	-----------------	--------------------	---------------------	----------------	------------------------

EQE AMG Line



High specification as standard.

The EQE AMG Line features a strong standard specification inside and outside. On the exterior, the AMG exterior styling along with 19" AMG 5-twin spoke wheels, and the panoramic roof ensure for a sporty styling. The interior features the AMG multifunction

sports steering wheel in nappa leather, AMG brushed stainless steel sport pedals and AMG sports seats with heated front seats.

EQE AMG Line

OTR from £73,450¹

¹The recommended on-the-road price includes the Road Fund Licence applicable to the standard model plus delivery charge (£780.00 incl.VAT), new vehicle registration fee (£55.00) and number plates (£25.00 incl.VAT). VAT is calculated at the standard rate of 20%. Some of the model features, optional extras and colours shown may not be available, or may only be available in a different specification, or at a different price

Design	Sustainability	Technology	Safety	Mercedes-EQ	Model lines and upholstery	Model prices	Mercedes-AMG and upholstery	Mercedes-AMG prices	Personalisation	Standard equipment	Genuine accessories	Technical data	Additional information
--------	----------------	------------	--------	-------------	----------------------------	--------------	-----------------------------	---------------------	-----------------	--------------------	---------------------	----------------	------------------------

EQE AMG Line Standard equipment highlights



Exterior

19" AMG alloy wheels – 5-twin-spoke design, aerodynamically optimised, painted black with a high-shine finish (code RRH)

AMG exterior styling – AMG front bumper painted in vehicle colour with A-wing in high-gloss black and trim in chrome, front splitter in high-gloss chrome with flics and fins at the left and right air inlets in high-gloss black with chrome trim. AMG rear apron painted in vehicle colour with diffuser-look inserts in high-gloss black, double trim strip in chrome and flics at the left and right air outlets in grained black. Side skirts painted in high-gloss black with insert in chrome

Panoramic roof

Privacy glass

Summer tyres





Parking package with Parking Assist and reversing camera

Communications, Safety and Assistance Systems

12.3-inch digital instrument cluster display

12.8-inch media display

Parking package with Parking Assist and reversing camera



URBAN GUARD vehicle protection



Interior

Air Quality package	AMG sports seats in Lugano leather upholstery
Ambient lighting – three dimming zones (all, ambient and accent), variable brightness setting, 64 colours and ten colour moods	Dashboard and beltlines in grey ARTICO man-made leather with NEOTEX grain and red topstitching
AMG brushed stainless steel sports pedals with black rubber studs	Heated front seats
AMG floor mats	Roof liner in black fabric
AMG multifunction sports steering wheel in nappa leather	THERMATIC automatic climate control with two climate zones

Trim and Upholstery

ARTICO man-made leather/MICROCUT microfibre – black/space grey	Anthracite linestructure lime wood
	

EQE AMG Line Premium



Take your EQE to the next level.

Elevating the specification of the AMG Line, the AMG Line Premium benefits of additional features, such as 20" AMG 5-spoke-design wheels and the Driving Assistance package. Designed around sensory excellence, the interior features Ambient lighting and the

THERMOTRONIC automatic climate control. Thanks to KEYLESS-GO, all doors can then be unlocked and locked simply by touching the door handle.

EQE AMG Line Premium
Upgrade price from EQE AMG Line

OTR from £78,450¹
£5,000

¹The recommended on-the-road price includes the Road Fund Licence applicable to the standard model plus delivery charge (£780.00 incl. VAT), new vehicle registration fee (£55.00) and number plates (£25.00 incl. VAT). VAT is calculated at the standard rate of 20%. Some of the model features, optional extras and colours shown may not be available, or may only be available in a different specification, or at a different price

Design	Sustainability	Technology	Safety	Mercedes-EQ	Model lines and upholstery	Model prices	Mercedes-AMG and upholstery	Mercedes-AMG prices	Personalisation	Standard equipment	Genuine accessories	Technical data	Additional information
--------	----------------	------------	--------	-------------	----------------------------	--------------	-----------------------------	---------------------	-----------------	--------------------	---------------------	----------------	------------------------

EQE AMG Line Premium Standard equipment highlights



In addition to/replacement of AMG Line:

Exterior

20" AMG alloy wheels – 5-spoke design, painted metallic vanadium silver with aero elements in matt tantalite grey (code RRM)

Summer tyres





Ambient lighting



Memory package

Interior

Ambient Lighting Plus – in 64 colours, all colours can be selected individually, ambient lighting (code 891) with indirect illumination Pre-programmed colour schemes which illuminate defined areas of the interior in different colours, contour lighting of the seats, dynamic mode: the colours alternate slowly, emotively appealing animations: welcome display or feedback in colour when adjusting the air conditioning

KEYLESS-GO

Memory package

THERMOTRONIC automatic climate control with four climate zones

Communications, Safety and Assistance Systems

Driving Assistance package¹

Mercedes-Benz sound system

Trim and Upholstery

ARTICO man-made leather/MICROCUT microfibre – black/space grey

Anthracite linestructure lime wood



¹Our driver assistance and safety systems are aids and do not relieve you of your responsibility as the driver. Please take note of the information in the Owner's Manual and the system limits which are described therein

EQE AMG Line Premium Plus



Boosting the spec further.

The AMG Line Premium Plus has been designed to enhance the driving experience through greater comfort and ease of use. 21" multi-spoke AMG alloy wheels, AIRMATIC air suspension, as well as the MBUX Interior Assistant (front), head-up display, and the Parking package with 360° camera all come as standard.

EQE AMG Line Premium Plus
Upgrade price from EQE AMG Line Premium

OTR from £85,450¹
£7,000

¹The recommended on-the-road price includes the Road Fund Licence applicable to the standard model plus delivery charge (£780.00 incl.VAT), new vehicle registration fee (£55.00) and number plates (£25.00 incl.VAT). VAT is calculated at the standard rate of 20%. Some of the model features, optional extras and colours shown may not be available, or may only be available in a different specification, or at a different price

Design	Sustainability	Technology	Safety	Mercedes-EQ	Model lines and upholstery	Model prices	Mercedes-AMG and upholstery	Mercedes-AMG prices	Personalisation	Standard equipment	Genuine accessories	Technical data	Additional information
--------	----------------	------------	--------	-------------	----------------------------	--------------	-----------------------------	---------------------	-----------------	--------------------	---------------------	----------------	------------------------

EQE AMG Line Premium Plus

Standard equipment highlights



In addition to/replacement of AMG Line Premium:

Exterior

21" AMG alloy wheels – multi-spoke design, aerodynamically optimised, painted black and rim flange with a high-shine finish (code RW1)

AIRMATIC air suspension

DIGITAL LIGHT

Radiator grille with Mercedes-Benz pattern

Summer tyres





Heated windscreen



Acoustic Comfort package

Interior

Acoustic Comfort package

Head-up display

Heated windscreen

Communications, Safety and Assistance Systems

Burmester® surround sound system

Driving Assistance package Plus¹

MBUX augmented reality for navigation

MBUX Interior Assistant (front)

Multifunction telephony

Parking package with Parking Assist and 360° camera

URBAN GUARD Plus vehicle protection

Trim and Upholstery

ARTICO man-made leather/MICROCUT microfibre – black/space grey

Anthracite linestructure lime wood



¹Our driver assistance and safety systems are aids and do not relieve you of your responsibility as the driver. Please take note of the information in the Owner's Manual and the system limits which are described therein

EQE Exclusive Luxury



The ultimate choice is exclusive and luxurious.

Character is further refined through high-gloss black painted 21" alloy wheels and the distinct Electric Art exterior and interior styling. Additional features include comfort seats and climatized front seats. You can enjoy heated rear seats, a heated windscreen, and a heated steering wheel for colder days.

EQE Exclusive Luxury

OTR from £85,450¹

¹The recommended on-the-road price includes the Road Fund Licence applicable to the standard model plus delivery charge (£780.00 incl. VAT), new vehicle registration fee (£55.00) and number plates (£25.00 incl. VAT). VAT is calculated at the standard rate of 20%. Some of the model features, optional extras and colours shown may not be available, or may only be available in a different specification, or at a different price

Design	Sustainability	Technology	Safety	Mercedes-EQ	Model lines and upholstery	Model prices	Mercedes-AMG and upholstery	Mercedes-AMG prices	Personalisation	Standard equipment	Genuine accessories	Technical data	Additional information
--------	----------------	------------	--------	-------------	----------------------------	--------------	-----------------------------	---------------------	-----------------	--------------------	---------------------	----------------	------------------------

EQE Exclusive Luxury Standard equipment highlights



In addition to/replacement of AMG Line Premium Plus:

Exterior

21" alloy wheels – 5-twin-spoke design, aerodynamically optimised, painted high-gloss black with a high-shine finish (code 81R)

Electric Art exterior styling – front apron with chrome trim in the upper and lower sections. Rear apron painted in the vehicle colour with lower section in graphite grey metallic and chrome. Side skirts painted in graphite grey with chrome inserts

Summer tyres



**Interior**

Climatised front seats

Comfort front headrests

Comfort seats

Electric Art interior styling

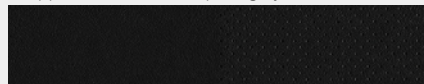
Heated steering wheel

Heated rear seats

Trim and Upholstery

Nappa leather - black/space grey

Ship's deck open-pore walnut wood



Upholstery

● Standard □ No-cost option – Not available



651A ARTICO man-made leather/MICROCUT microfibre - black/space grey

AMG Line	●
AMG Line Premium	●
AMG Line Premium Plus	●
Exclusive Luxury	–



801A Nappa leather¹ - black/space grey

AMG Line	–
AMG Line Premium	–
AMG Line Premium Plus	–
Exclusive Luxury	●



804A Nappa leather¹ - balao brown/black

AMG Line	–
AMG Line Premium	–
AMG Line Premium Plus	–
Exclusive Luxury	□



814A Nappa leather¹ - balao brown/neva grey

AMG Line	–
AMG Line Premium	–
AMG Line Premium Plus	–
Exclusive Luxury	□

¹100% of seat upholstery is pure leather

[Book a test drive](#)[Buy your EQE](#)[Find a Retailer](#)

Model prices

Model line	Powertrain	CO ₂ WLTP ^{1,*}	Basic RRP excl. VAT (£)	Total RRP incl. VAT (£)	Road Fund Licence (£) ² WLTP	Rec. OTR price (£) ³ WLTP	P11D value (£)	BiK tax rate 2022/23 (%) ²
AMG Line								
EQE 300	Battery electric vehicle, 245 hp/180 kW Electric range up to 384 miles - WLTP ¹	0	60,491.67	72,590.00	0.00	73,450.00	73,395.00	2
AMG Line Premium								
EQE 300	Battery electric vehicle, 245 hp/180 kW Electric range up to 372 miles - WLTP ¹	0	64,658.33	77,590.00	0.00	78,450.00	78,395.00	2
AMG Line Premium Plus								
EQE 300	Battery electric vehicle, 245 hp/180 kW Electric range up to 346 miles - WLTP ¹	0	70,491.67	84,590.00	0.00	85,450.00	85,395.00	2
Exclusive Luxury								
EQE 300	Battery electric vehicle, 245 hp/180 kW Electric range up to 354 miles - WLTP ¹	0	70,491.67	84,590.00	0.00	85,450.00	85,395.00	2

¹The indicated values were determined according to the prescribed measurement method - Worldwide Harmonised Light Vehicle Test Procedure (WLTP). Figures shown may include options which are not available in the UK. Battery Electric Vehicles (BEV) require mains electricity for charging, range figures determined with the battery fully charged. ²Figures shown are for comparability purposes; only compare with other cars tested to the same technical procedures. Figures may not reflect real life driving results, which will depend upon a number of factors including the starting charge of the battery, factory-fitted options, accessories fitted (post registration), variations in weather, driving styles and vehicle load. Further information about the test used to establish range, power consumption and CO₂ figures can be found at <http://www.mercedes-benz.co.uk/WLTP> ³A different first year rate of Vehicle Excise Duty (Road Fund Licence) applies for new cars. Please refer to page 64 for the relevant rate for the second and subsequent years ⁴The recommended on-the-road price includes the Road Fund Licence applicable to the standard model plus delivery charge (£780.00 incl. VAT), new vehicle registration fee (£55.00) and number plates (£25.00 incl. VAT). VAT is calculated at the standard rate of 20%. Some of the model features, optional extras and colours shown may not be available, or may only be available in a different specification, or at a different price



Book a test drive



Buy your EQE



Find a Retailer



EQE

Mercedes-AMG

Design	Sustainability	Technology	Safety	Mercedes-EQ	Model lines and upholstery	Model prices	Mercedes-AMG and upholstery	Mercedes-AMG prices	Personalisation	Standard equipment	Genuine accessories	Technical data	Additional information
--------	----------------	------------	--------	-------------	----------------------------	--------------	-----------------------------	---------------------	-----------------	--------------------	---------------------	----------------	------------------------



Book a test drive



Buy your EQE



Find a Retailer

Mercedes-AMG EQE Model lines overview



Mercedes-AMG EQE 53 4MATIC+ Night Edition »



Mercedes-AMG EQE 53 4MATIC+ Touring »



Design	Sustainability	Technology	Safety	Mercedes-EQ	Model lines and upholstery	Model prices	Mercedes-AMG and upholstery	Mercedes-AMG prices	Personalisation	Standard equipment	Genuine accessories	Technical data	Additional information
--------	----------------	------------	--------	-------------	----------------------------	--------------	-----------------------------	---------------------	-----------------	--------------------	---------------------	----------------	------------------------



Mercedes-AMG EQE 53 4MATIC+ Night Edition



Electric mobility meets AMG heritage.

The Mercedes-AMG EQE 53 4MATIC+ Night Edition carries all the traditional AMG values into electric mobility. This model features 21" AMG cross-spoke alloy wheels in black with red-painted brake callipers, AMG front and rear bumpers, and a panoramic sunroof. The AMG styling continues inside with the AMG Performance steering wheel, AMG brushed

stainless steel sports pedals, AMG door sills with illuminated 'AMG' lettering and AMG velour floor mats.

Mercedes-AMG EQE 53 4MATIC+ Night Edition

OTR from £113,855¹

¹The recommended on-the-road price includes the Road Fund Licence applicable to the standard model plus delivery charge (£780.00 incl.VAT), new vehicle registration fee (£55.00) and number plates (£25.00 incl.VAT). VAT is calculated at the standard rate of 20%. Some of the model features, optional extras and colours shown may not be available, or may only be available in a different specification, or at a different price

Design	Sustainability	Technology	Safety	Mercedes-EQ	Model lines and upholstery	Model prices	Mercedes-AMG and upholstery	Mercedes-AMG prices	Personalisation	Standard equipment	Genuine accessories	Technical data	Additional information
--------	----------------	------------	--------	-------------	----------------------------	--------------	-----------------------------	---------------------	-----------------	--------------------	---------------------	----------------	------------------------



Mercedes-AMG EQE 53 4MATIC+ Night Edition Standard equipment highlights



Exterior

21" AMG alloy wheels – Y-spoke design, aerodynamically optimised, painted matt black and rim flange with a high-shine finish (code RWN)

AIRMATIC air suspension

AMG exterior styling – AMG front bumper painted in vehicle colour with A-wing in high-gloss black and trim in chrome, front splitter in high-gloss chrome with flics and fins at the left and right air inlets in high-gloss black with chrome trim. AMG rear apron painted in vehicle colour with diffuser-look inserts in high-gloss black, double trim strip in chrome and flics at the left and right air outlets in grained black. Side skirts painted in high-gloss black with insert in chrome

AMG spoiler lip on the boot lid

Brake callipers in red paint

Headlamps – DIGITAL LIGHT

Panoramic sliding sunroof

Steering – 4.5° rear axle steering

Summer tyres



Design	Sustainability	Technology	Safety	Mercedes-EQ	Model lines and upholstery	Model prices	Mercedes-AMG and upholstery	Mercedes-AMG prices	Personalisation	Standard equipment	Genuine accessories	Technical data	Additional information
--------	----------------	------------	--------	-------------	----------------------------	--------------	-----------------------------	---------------------	-----------------	--------------------	---------------------	----------------	------------------------

MBUX Interior Assistant



Interior

Air Quality package

AMG door sills with illuminated 'AMG' lettering

AMG brushed stainless steel sports pedals with black rubber studs

AMG Performance steering wheel in nappa leather/ Mikrofaser MICRO CUT

AMG velour floor mats

Climatised front seats

Dashboard in leather look

Split fold rear seats

Communications, Safety and Assistance Systems

Burmester® surround sound system

Driving Assistance package Plus¹

Head-up display

MBUX Interior Assistant



Head-up display



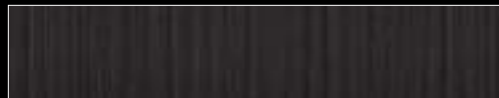
Climatised front seats



AMG door sills with illuminated 'AMG' lettering

Trim and Upholstery

Anthracite linestructure lime wood trim



AMG nappa leather - black/space grey



¹Our driver assistance and safety systems are aids and do not relieve you of your responsibility as the driver. Please take note of the information in the Owner's Manual and the system limits which are described therein

Design	Sustainability	Technology	Safety	Mercedes-EQ	Model lines and upholstery	Model prices	Mercedes-AMG and upholstery	Mercedes-AMG prices	Personalisation	Standard equipment	Genuine accessories	Technical data	Additional information
--------	----------------	------------	--------	-------------	----------------------------	--------------	-----------------------------	---------------------	-----------------	--------------------	---------------------	----------------	------------------------

Mercedes-AMG EQE 53 4MATIC+ Touring



Electric mobility meets AMG heritage.

The Mercedes-AMG EQE 53 4MATIC+ Touring carries all the traditional AMG values into electric mobility. This model features 21" AMG cross-spoke alloy wheels with a high-shine finish. Inside, the heated AMG Performance steering wheel in nappa leather and the heated windscreen come as standard.

Mercedes-AMG EQE 53 4MATIC+ Touring

OTR from £113,855¹

¹The recommended on-the-road price includes the Road Fund Licence applicable to the standard model plus delivery charge (£780.00 incl. VAT), new vehicle registration fee (£55.00) and number plates (£25.00 incl. VAT). VAT is calculated at the standard rate of 20%. Some of the model features, optional extras and colours shown may not be available, or may only be available in a different specification, or at a different price

Design	Sustainability	Technology	Safety	Mercedes-EQ	Model lines and upholstery	Model prices	Mercedes-AMG and upholstery	Mercedes-AMG prices	Personalisation	Standard equipment	Genuine accessories	Technical data	Additional information
--------	----------------	------------	--------	-------------	----------------------------	--------------	-----------------------------	---------------------	-----------------	--------------------	---------------------	----------------	------------------------

Mercedes-AMG EQE 53 4MATIC+ Touring Standard equipment highlights



In addition to/replacement of Mercedes-AMG EQE 53 4MATIC+ Night Edition:

Exterior

21" AMG alloy wheels - Y-spoke design, aerodynamically optimised, painted matt black with a high-sheen finish (code RWM)

Silver callipers

Summer tyres





Heated steering wheel

Interior

AMG Performance steering wheel in nappa leather

AMG sports seats in nappa leather

Heated steering wheel

Heated windscreen

Trim and Upholstery

Ship's deck open-pore walnut wood trim



AMG nappa leather - black/space grey



Heated windscreen



Book a test drive



Buy your EQE



Find a Retailer



Mercedes-AMG upholstery

- Standard
- No-cost option



Option shown: Hyperscreen package (code DRL)

851A AMG nappa leather¹ – black/space grey

- Mercedes-AMG EQE 53 4MATIC+ Night Edition
- Mercedes-AMG EQE 53 4MATIC+ Touring



Option shown: Hyperscreen package (code DRL)

861A AMG nappa leather¹ – black/balao brown

- Mercedes-AMG EQE 53 4MATIC+ Night Edition
- Mercedes-AMG EQE 53 4MATIC+ Touring

¹At least 80% of the seat upholstery is pure leather, while up to 20% may consist of man-made leather

Design	Sustainability	Technology	Safety	Mercedes-EQ	Model lines and upholstery	Model prices	Mercedes-AMG and upholstery	Mercedes-AMG prices	Personalisation	Standard equipment	Genuine accessories	Technical data	Additional information
--------	----------------	------------	--------	-------------	----------------------------	--------------	-----------------------------	---------------------	-----------------	--------------------	---------------------	----------------	------------------------

[Book a test drive](#)[Buy your EQE](#)[Find a Retailer](#)

Become the AMG expert

Unleash a new level of performance.



Step into the world of performance and experience the AMG brand at Mercedes-Benz World – from the powerful sound of the engines to the smell of the leather to the unmistakable design of our vehicles.

Mercedes-Benz World invites all Mercedes-AMG customers to a complimentary adrenaline-packed driving experience. Feel the sensational AMG driving performance, develop your driving skills and even try your hand at power-sliding on the Wet Skid Circle. With expert one-to-one guidance from a Driving Specialist in the passenger seat, experience every inch of our Handling Circuits, Dynamic Straight and low friction surfaces.

[Click here for more information](#)



TERMS AND CONDITIONS
The following customers only are eligible: The first purchaser/registered keeper of a newly registered Mercedes-AMG. The complimentary Training must be booked and taken within 12 months of delivery of your Mercedes-AMG, the Training is offered on specific days only and subject to availability. Upgrades are available for an additional cost, details upon request. Transferable to individuals who reside at the same postal address only. Mercedes-Benz Cars UK Limited reserves the right to amend or withdraw this Training experience. Attendees must hold a full UK driving licence. Attendees will be required to sign the Mercedes-Benz World Driving Risk Acknowledgement prior to undertaking the Training experience. The Training experience is also subject to the Mercedes-Benz World Terms and Conditions, as applicable. Invitation is emailed to the customer post-delivery, permission via the customer contact preferences must be given to enable Mercedes-Benz World to contact. Retailer demonstrator vehicles are not eligible.

Design	Sustainability	Technology	Safety	Mercedes-EQ	Model lines and upholstery	Model prices	Mercedes-AMG and upholstery	Mercedes-AMG prices	Personalisation	Standard equipment	Genuine accessories	Technical data	Additional information
------------------------	--------------------------------	----------------------------	------------------------	-----------------------------	--	------------------------------	---	-------------------------------------	---------------------------------	------------------------------------	-------------------------------------	--------------------------------	--

[Book a test drive](#)[Buy your EQE](#)[Find a Retailer](#)

Mercedes-AMG prices

Model line	Powertrain	CO ₂ WLTP ¹ *	Basic RRP excl. VAT (£)	Total RRP incl. VAT (£)	Road Fund Licence (£) ² WLTP	Rec. OTR price (£) ³ WLTP	P11D value (£)	BiK tax rate 2022/23 (%) ²
Mercedes-AMG EQE 53 4MATIC+ Night Edition	Battery electric vehicle, 625 hp/460 kW Electric range up to 290 miles – WLTP ¹	0	94,162.50	112,995.00	0.00	113,855.00	113,800.00	2
Mercedes-AMG EQE 53 4MATIC+ Touring	Battery electric vehicle, 625 hp/460 kW Electric range up to 290 miles – WLTP ¹	0	94,162.50	112,995.00	0.00	113,855.00	113,800.00	2

¹The indicated values were determined according to the prescribed measurement method - Worldwide Harmonised Light Vehicle Test Procedure (WLTP). Figures shown may include options which are not available in the UK. Battery Electric Vehicles (BEV) require mains electricity for charging, range figures determined with the battery fully charged. ²Figures shown are for comparability purposes; only compare with other cars tested to the same technical procedures. Figures may not reflect real life driving results, which will depend upon a number of factors including the starting charge of the battery, factory-fitted options, accessories fitted (post registration), variations in weather, driving styles and vehicle load. Further information about the test used to establish range, power consumption and CO₂ figures can be found at <http://www.mercedes-benz.co.uk/WLTP> ³A different first year rate of Vehicle Excise Duty (Road Fund Licence) applies for new cars. Please refer to page 74 for the relevant rate for the second and subsequent years ³The recommended on-the-road price includes the Road Fund Licence applicable to the standard model plus delivery charge (£780.00 incl. VAT), new vehicle registration fee (£55.00) and number plates (£25.00 incl. VAT). VAT is calculated at the standard rate of 20%. Some of the model features, optional extras and colours shown may not be available, or may only be available in a different specification, or at a different price



Book a test drive



Buy your EQE



Find a Retailer

Colour options EQE

● Standard

Total prices incl. VAT



040 black non-metallic



922 high tech silver metallic

£895



885 MANUFAKTUR opalite white metallic

£1,195



818 MANUFAKTUR graphite grey magno¹

£2,175



197 obsidian black metallic

£895



970 spectral blue metallic

£895



956 MANUFAKTUR alpine grey solid

£1,195



831 graphite grey metallic

£895



996 MANUFAKTUR hyacinth red metallic

£1,195

¹MANUFAKTUR magno matt paint finishes require extra care. Please refer to the Owner's Manual for instructions

Please note that, owing to limitations of on-screen representation, paint colours may differ from those shown

Design	Sustainability	Technology	Safety	Mercedes-EQ	Model lines and upholstery	Model prices	Mercedes-AMG and upholstery	Mercedes-AMG prices	Personalisation	Standard equipment	Genuine accessories	Technical data	Additional information
--------	----------------	------------	--------	-------------	----------------------------	--------------	-----------------------------	---------------------	-----------------	--------------------	---------------------	----------------	------------------------

Colour options Mercedes-AMG EQE

● Standard □ No-cost option ○ Optional

Total prices incl. VAT



197 obsidian black metallic ●



831 graphite grey metallic □



799 MANUFAKTUR diamond white metallic £1,195



818 MANUFAKTUR graphite grey magno¹ £2,175



346 onyx black metallic □



842 sodalite blue metallic □



956 MANUFAKTUR alpine grey solid £1,195



595 nautic blue metallic □



922 high tech silver metallic □



996 MANUFAKTUR hyacinth red metallic £1,195

¹MANUFAKTUR magno matt paint finishes require extra care. Please refer to the Owner's Manual for instructions Please note that, owing to limitations of on-screen representation, paint colours may differ from those shown

[Book a test drive](#)[Buy your EQE](#)[Find a Retailer](#)

Hyperscreen package (restricted deliveries throughout 2022)

Enhance your interior with an impressive design feature. As if cast from a single mould, 3 displays seamlessly blend together beneath a glass panel to create one large MBUX hyperscreen. Brilliant OLED technology enhances your display comfort, while the haptic feedback helps to simplify input on the touchscreen.

Hyperscreen package (code DRL) – designed and priced as a package.

Available on all Mercedes-AMG EQE 53 models

Total incl. VAT £6,995.00

Consisting of:

17.7-inch central display and a 12.3-inch passenger display

Augmented navigation head-up display – this head-up display projects visual information into your field of vision without distracting you. For example, large direction arrows float above a junction where you need to make a turn. You immediately know what needs to be done

Fingerprint scanner

OLED high-end screens are right next to each other, with minimal space in between to give the impression that this is one large screen



Design	Sustainability	Technology	Safety	Mercedes-EQ	Model lines and upholstery	Model prices	Mercedes-AMG and upholstery	Mercedes-AMG prices	Personalisation	Standard equipment	Genuine accessories	Technical data	Additional information
------------------------	--------------------------------	----------------------------	------------------------	-----------------------------	--	------------------------------	---	-------------------------------------	---------------------------------	------------------------------------	-------------------------------------	--------------------------------	--

[Book a test drive](#)[Buy your EQE](#)[Find a Retailer](#)

AMG Performance package

Exclusively designed for the Mercedes-AMG EQE 53 4MATIC+ Night Edition, the AMG Performance package is an attractive optional extra for the power-hungry sports driver looking for the ultimate AMG experience.

AMG Performance package (code DPP) – designed and priced as a package.

Only available on Mercedes-AMG EQE 53 4MATIC+ Night Edition

Total incl. VAT £7,995.00

Consisting of:

AMG Driver's package for a maximum top speed increased to 155mph

AMG sound experience performance, in three versions 'Balanced', 'Sport' and 'Powerful'

AMG DYNAMIC PLUS package – boost for RACE START by briefly increasing maximum power and torque

AMG TRACK PACE

AMG high-performance ceramic composite braking system

Drive sounds



[Book a test drive](#)[Buy your EQE](#)[Find a Retailer](#)

Standard equipment

● Standard – Not available

Battery and Charging

	AMG Line	AMG Line Premium	AMG Line Premium Plus	Exclusive Luxury
11kW on-board charger	●	●	●	●
90 kWh battery	●	●	●	●
170 kW on-board charger	●	●	●	●
CCS-2 connector (DC charging with Combined Charging System, compatible with AC and DC)	●	●	●	●
Charging cable – Mode 3 cable (5 metres), Type 2, enables you to charge the vehicle battery via the wallbox or at public charging stations	●	●	●	●
IONITY – one year, rapid-charging with IONITY	●	●	●	●
Mercedes me Charge – three year subscription – fully integrated access to a host of public charging stations. A single contract covers all billing. One-time registration and activation as part of Mercedes me connect. Use via app, MBUX multimedia system or RFID card	●	●	●	●

Steering, Transmission and Suspension

	AMG Line	AMG Line Premium	AMG Line Premium Plus	Exclusive Luxury
AIRMATIC air suspension struts with integrated adaptive damping system at the front and rear axle – automatic level control system, depending on load: load detection for a constant suspension level. Suspension level can be raised for rough roads and is automatically lowered at high speeds, MBUX can remember these actions and suggest them when arriving at the same location	–	–	●	●
DYNAMIC SELECT – three different drive programs, ECO, COMFORT and SPORT with the ability to save an INDIVIDUAL program, five recuperation levels: D Auto (ECO Assist, standard setting), D + (coasting), D (low recuperation), D - (medium recuperation), D - - (high recuperation)	●	●	●	●

Exterior

	AMG Line	AMG Line Premium	AMG Line Premium Plus	Exclusive Luxury
Acoustic Comfort package	–	–	●	●
AMG exterior styling – AMG front bumper painted in vehicle colour with A-wing in high-gloss black and trim in chrome, front splitter in high-gloss chrome with flics and fins at the left and right air inlets in high-gloss black with chrome trim. AMG rear apron painted in vehicle colour with diffuser-look inserts in high-gloss black, double trim strip in chrome and flics at the left and right air outlets in grained black. Side skirts painted in high-gloss black with insert in chrome	●	●	●	–
Electric Art exterior styling – front apron with chrome trim in the upper and lower sections. Rear apron painted in the vehicle colour with lower section in graphite grey metallic and chrome. Side skirts painted in graphite grey with chrome inserts	–	–	–	●
Headlamps – DIGITAL LIGHT	–	–	●	●
Headlamps – static LED headlamps with Highbeam Assist	●	●	–	–
Heated windscreen washer system	●	●	●	●
Mirror package – electrically folding exterior mirrors, automatically dimming interior and exterior driver mirror, surround lighting in both outside mirrors with brand logo projection to illuminate the entrance area	●	●	●	●
Panoramic sliding sunroof	●	●	●	●
Privacy glass	●	●	●	●
Radiator grille with Mercedes-Benz pattern	–	–	●	●

[Book a test drive](#)[Buy your EQ](#)[Find a Retailer](#)

Standard equipment

● Standard – Not available

Wheels

	AMG Line	AMG Line Premium	AMG Line Premium Plus	Exclusive Luxury
19" AMG alloy wheels – 5-twin-spoke design, aerodynamically optimised, painted black with a high-sheen finish, 255/45 R19 tyres (code RRH)	●	–	–	–
20" AMG alloy wheels – 5-spoke design, painted metallic vanadium silver with aero elements in matt tantalite grey, 255/40 (front) and 285/35 (rear) R 20 tyres (code RRM)	–	●	–	–
21" AMG alloy wheels – multi-spoke design, aerodynamically optimised, painted black and rim flange with a high-sheen finish, 255/35 (front) and 285/30 (rear) tyres R21 (code RWI)	–	–	●	–
21" alloy wheels – 5-twin-spoke design, aerodynamically optimised, painted high-gloss black with a high-sheen finish, 255/35 (front) and 285/30 (rear) R 21 tyres (code 81R)	–	–	–	●
Summer tyres	●	●	●	●

Interior

Air Quality package – infrared quality sensor plus a fine particle sensor on outside and inside includes Course, HEPA fine particle and Broad spectrum filter against fine particles (PM2.5), pollen, nitrogen dioxides (NOx), sulphur dioxides (SO2) and certain viruses. Antibacterial effect reduces the growth of fungi and bacteria on the interior air filter. Automatic switching between air recirculation or fresh air depending on the measured air quality. Air quality menu in the MBUX multimedia system	●	●	●	●
Ambient lighting – three dimming zones (all, ambient and accent), variable brightness setting, 64 colours and ten colour moods	●	–	–	–
Ambient Lighting Plus – 64 colours, all colours can be selected individually, ambient lighting (code 891) with indirect illumination, pre-programmed colour schemes which illuminate defined areas of the interior in different colours, contour lighting of the seats, dynamic mode: the colours alternate slowly, emotively appealing animations: welcome display or feedback in colour when adjusting the air conditioning	–	●	●	●
AMG interior styling – AMG sports steering wheel, AMG pedals, AMG door sills with AMG illuminated lettering and AMG velour floor mats	●	●	●	–
Black velour floor mats	–	–	–	●

	AMG Line	AMG Line Premium	AMG Line Premium Plus	Exclusive Luxury
Electric Art interior styling	–	–	–	●
Interior Light package	●	●	●	●
KEYLESS-GO	–	●	●	●
Memory package – electrical adjustment and memory function for front seats, steering wheel, outside mirror, heated areas of the seat cushion and seat backrest, head-up display (where fitted), four-way front lumbar support and seat cushion length. Includes PRE-SAFE® positioning function for front passenger seat	–	●	●	●
Seats – climatized (front)	–	–	–	●
Seats – comfort seats with comfort front headrests	–	–	–	●
Seats – heated (front)	●	●	●	–
Seats – heated (rear)	–	–	–	●
Seats – split fold rear seats	●	●	●	●
Steering wheel – heated	–	–	–	●
Storage compartment under center console	●	●	●	●
THERMATIC automatic climate control with two climate zones	●	–	–	–
THERMOTRONIC automatic climate control with four climate zones	–	●	●	●
Windscreen – heated	–	–	●	●

Paint, Trim and Upholstery

Dashboard in leather look	●	●	●	●
Paint – non-metallic	●	●	●	●
Trim – lower trim – black fine structure	●	●	●	●

¹Free of charge for three years from activation²Compatible smartphone required. For further details please visit <https://www.mercedes-benz-mobile.com/>

[Book a test drive](#)[Buy your EQE](#)[Find a Retailer](#)

Standard equipment

● Standard – Not available

Paint, Trim and Upholstery (continued)

	AMG Line	AMG Line Premium	AMG Line Premium Plus	Exclusive Luxury
Trim – main trim – anthracite linestructure lime wood	●	●	●	–
Trim – main trim – ship's deck open-pore walnut wood	–	–	–	●
Roof lining – black fabric	●	●	●	–
Roof lining – grey fabric	–	–	–	●
Upholstery – ARTICO man-made leather/MICROCUT microfibre	●	●	●	–
Upholstery – nappa leather	–	–	–	●

Safety and Assistance Systems

Driving Assistance package ¹	–	●	–	–
Driving Assistance package Plus ¹	–	–	●	●
EASY-PACK tailgate	●	●	●	●
Mercedes-Benz emergency call system	●	●	●	●
Parking package with Parking Assist and reversing camera	●	●	–	–
Parking package with Parking Assist and 360° camera	–	–	●	●
Tirefit	●	●	●	●
URBAN GUARD vehicle protection	●	●	–	–
URBAN GUARD Plus with anti-theft protection hardware including alarm and immobilizer. Theft notification and park damage detection ² , stolen vehicle locator ² , 360° surroundview-camera snapshots ² and remote key immobilizer ²	–	–	●	●

Communications and In-Car Entertainment

	AMG Line	AMG Line Premium	AMG Line Premium Plus	Exclusive Luxury
12.3-inch digital instrument cluster display	●	●	●	●
12.8-inch media display	●	●	●	●
Digital radio	●	●	●	●
EQ navigation services – navigation optimised for Mercedes-EQ, range on map (range display), display of charging stations (info on availability, programming of charging settings and Pre-Entry Climate Control incl. remote retrieval of charging status and range)	●	●	●	●
Fingerprint scanner – colour-illuminated fingerprint scanner in the trim strip below the OLED media display, two fingerprints per user can be stored, quick access replaces PIN entry, protects personal data such as profiles plus office and payment functions	●	●	●	●
Hard-disc navigation	●	●	●	●
Head-up display	–	–	●	●
Live traffic information – 3 years	●	●	●	●
MBUX augmented reality for navigation	–	–	●	●
Pre-entry climate control	●	●	●	●
Pre-installation for Car Sharing	●	●	●	●
Sound system – Burmester® surround sound system	–	–	●	●
Sound system – Mercedes-Benz sound system	●	●	–	–
USB package – six fast charging USB-C ports including four compatible for data transfer	●	●	●	●
Wireless smartphone integration (front) ³	●	●	●	●

¹Our driver assistance and safety systems are aids and do not relieve you of your responsibility as the driver. Please take note of the information in the Owner's Manual and the system limits which are described therein

²Free of charge for three years from activation

³Compatible smartphone required. For further details please visit <https://www.mercedes-benz-mobile.com/>



Standard equipment

● Standard – Not available

Services

	AMG Line	AMG Line Premium	AMG Line Premium Plus	Exclusive Luxury
Geofencing – available to use free of charge for three years following activation ¹ , denotes a specific area and notifies via push message when the vehicle leaves or enters this area	●	●	●	●
Parked vehicle locator – available to use free of charge for three years following activation ¹ , shows the position of the parked vehicle in a radius of approx. 1.5 km	●	●	●	●
Personalisation – available to use free of charge for three years following activation ¹ , stores settings such as the radio station or navigation destination in the personal driver profile and enables these to be used in vehicles with the same telematics generation, the profile can be linked to the key, and the functions can therefore already be activated before getting in	●	●	●	●
Programming of auxiliary heater/ventilation	●	●	●	●
Remote door locking and unlocking – available to use free of charge for three years following activation ¹ , provides convenient remote monitoring	●	●	●	●
Remote retrieval of vehicle status ¹ – shows mileage, tyre pressure, washer fluid level, etc.	●	●	●	●
Remote vehicle finder – available to use free of charge for three years following activation ¹ indicators activated via the app help to draw attention to the vehicle, for example in large, confusing car parks	●	●	●	●
Sliding sunroof/windows with remote closing and opening including ventilation function to use free of charge for three years following activation ¹ for a breath of fresh air in the vehicle available	●	●	●	●
Send2Car function – available to use free of charge for three years following activation ¹ , sends selected addresses via the app to the vehicle's navigation system, for example POIs or restaurants	●	●	●	●
Speedfencing	●	●	●	●

Stolen Vehicle Help (free of charge for 3 years from activation) – this service reduces the bureaucratic effort required and gives you an advantage in terms of time. In the event of theft, you can report it to the police. You can transfer the police file number (depending on country) plus the relevant vehicle and owner information quite simply via app to our certified partner's security centre. This centre will then coordinate with the local police station to track your vehicle

Valet protect – available to use free of charge for 3 years following activation¹ notifies via the app when the ignition is switched on/off and when the vehicle moves outside a defined radius (1 km, 2.5 km or 5 km)

Vehicle Tracking

	AMG Line	AMG Line Premium	AMG Line Premium Plus	Exclusive Luxury
Stolen Vehicle Help (free of charge for 3 years from activation) – this service reduces the bureaucratic effort required and gives you an advantage in terms of time. In the event of theft, you can report it to the police. You can transfer the police file number (depending on country) plus the relevant vehicle and owner information quite simply via app to our certified partner's security centre. This centre will then coordinate with the local police station to track your vehicle	●	●	●	●
Valet protect – available to use free of charge for 3 years following activation ¹ notifies via the app when the ignition is switched on/off and when the vehicle moves outside a defined radius (1 km, 2.5 km or 5 km)	●	●	●	●
Vehicle Tracking	●	●	●	●

¹To use this service, you must register on the Mercedes me portal and also accept the Terms of Use for the Mercedes me connect services. In addition, the respective vehicle must be paired with the user account. Upon expiry of the initial term, the services can be extended for a fee. Initial activation of the services is possible within 1 year of first registration or commissioning by the customer, whichever occurs first

[Book a test drive](#)[Buy your EQE](#)[Find a Retailer](#)

Standard equipment Mercedes-AMG

● Standard – Not available

Battery and Charging

	EQE-53 4MATIC+ Night Edition	EQE-53 4MATIC+ Touring
11kW on-board charger	●	●
90.6kWh battery	●	●
170 kW on-board charger	●	●
CCS-2 connector (DC charging with Combined Charging System, compatible with AC and DC)	●	●
Charging cable for wallbox and public charging stations, Type 2 (Mode 3) 5m	●	●
IONITY – one year, rapid-charging with IONITY	●	●
Mercedes me Charge – three year subscription – fully integrated access to a host of public charging stations. A single contract covers all billing. One-time registration and activation as part of Mercedes me connect. Use via app, MBUX multimedia system or RFID card	●	●

Steering, Transmission and Suspension

AIRMATIC air suspension struts with integrated adaptive damping system at the front and rear axle – automatic level control system, depending on load: load detection for a constant suspension level. Suspension level can be raised for rough roads and is automatically lowered at high speeds, MBUX can remember these actions and suggest them when arriving at the same location	●	●
DYNAMIC SELECT – three different drive programs, ECO, COMFORT and SPORT with the ability to save an INDIVIDUAL program, five recuperation levels: D Auto (ECO Assist, standard setting), D + (coasting), D (low recuperation), D - (medium recuperation), D - - (high recuperation)	●	●
Steering – 4.5° rear axle steering	●	●

Exterior

	EQE-53 4MATIC+ Night Edition	EQE-53 4MATIC+ Touring
Acoustic privacy glass – dark tinted rear and rear side windows with noise reduction and optimised heat protection	●	●
AMG exterior styling	●	●
Headlamps – DIGITAL LIGHT	●	●
Heated windscreen washer system	●	●
Mirror package – electrically folding exterior mirrors, automatically dimming interior and exterior driver mirror, surround lighting in both outside mirrors with brand logo projection to illuminate the entrance area	●	●
Panoramic sliding sunroof	●	●
Red brake callipers	●	–
Silver brake callipers	–	●

Wheels

21" AMG alloy wheels – Y-spoke design, aerodynamically optimised, painted matt black with a high-sheen finish, 265/35 (front) and 295/30 (rear) R 21 tyres (code RWN)	●	–
21" AMG alloy wheels – Y-spoke design, aerodynamically optimised, painted matt black and rim flange with a high-sheen finish, 265/35 (front) and 295/30 (rear) R 21 tyres (code RWM)	–	●
Summer tyres	●	●

[Book a test drive](#)[Buy your EQE](#)[Find a Retailer](#)

Standard equipment Mercedes-AMG

● Standard – Not available

Interior

Air Quality package – infrared quality sensor plus a fine particle sensor on outside and inside includes Course, HEPA fine particle and Broad spectrum filter against fine particles (PM2.5), pollen, nitrogen dioxides (NOx), sulphur dioxides (SO2) and certain viruses. Antibacterial effect reduces the growth of fungi and bacteria on the interior air filter. Automatic switching between air recirculation or fresh air depending on the measured air quality. Air quality menu in the MBUX multimedia system

Adaptive ambient lighting – ambient lighting in 64 static colours, all colours can be selected individually. High-quality matt-white line as part of the lamellar trim with 190 integrated and individually controllable LEDs. Diverse colour moods, also with static or multicolour animated colour worlds. Driving assistance system interaction, parking and manoeuvring functions. Outline of electric driving: drive, recuperation, boost. Emotively appealing animations: welcome display or feedback in colour when adjusting the air conditioning or interaction with the voice control. Incorporation of active ambient lighting into the programmes of ENERGIZING comfort control (Exclusive luxury only) and variable setting of the brightness for automatic day and night switchover

AMG Interior Design package – AMG sports steering wheel, AMG pedals, AMG door sills with illuminated 'AMG' lettering and AMG velour floor mats

AMG Performance steering wheel in nappa leather

AMG Performance steering wheel in nappa leather/Mikrofaser MICROCUT

Heated windscreen

Lighting – Interior Light package

Memory package – electrical adjustment and memory function for front seats, steering wheel, outside mirror, heated areas of the seat cushion and seat backrest, head-up display (where fitted), four-way front lumbar support and seat cushion length. Includes PRE-SAFE® positioning function for front passenger seat

Roof liner in black MICROCUT microfibre

Seats – climatized (front)

Seats – heated (rear)

Seats – multi-contour front seats with massage function

EQE-53 4MATIC+ Night Edition
EQE-53 4MATIC+ Touring

● ●

● ●

● ●

– ●

● –

– ●

● ●

● ●

● ●

● ●

● ●

● ●

Seats – split fold rear seats

Steering wheel – heated

Storage compartment under center console

THERMOTRONIC automatic climate control

● ●

– ●

● ●

● ●

Paint, Trim and Upholstery

Dashboard in leather look

Paint – metallic

Trim – main trim – anthracite linestructure lime wood

Trim – main trim – ship's deck open-pore walnut wood

Upholstery – AMG nappa leather

● ●

● ●

– ●

● –

● ●

Safety and Assistance Systems

Driving Assistance package Plus¹

EASY-PACK tailgate

KEYLESS-GO package

Mercedes-Benz emergency call system

Parking package with Active Parking Assist, 360° camera and remote parking includes three year subscription to Mercedes me Remote Parking service

Tirefit

URBAN GUARD Plus with anti-theft protection hardware including alarm and immobilizer. Theft notification and park damage detection², stolen vehicle locator², 360° surroundview-camera snapshots² and remote key immobilizer²

● ●

● ●

● ●

● ●

● ●

● ●

● ●

¹Our driver assistance and safety systems are aids and do not relieve you of your responsibility as the driver. Please take note of the information in the Owner's Manual and the system limits which are described therein ²Free of charge for three years from activation

[Book a test drive](#)[Buy your EQE](#)[Find a Retailer](#)

Standard equipment Mercedes-AMG

● Standard – Not available

Communications and In-Car Entertainment

	EQE53 4MATIC+ Night Edition	EQE53 4MATIC+ Touring
12.3-inch digital instrument cluster display	●	●
12.8-inch media display	●	●
Digital radio	●	●
EQ navigation services – navigation optimised for Mercedes-Benz EQ, range on map (range display), display of charging stations (info on availability, programming of charging settings and Pre-Entry Climate Control incl. remote retrieval of charging status and range)	●	●
Fingerprint scanner – colour-illuminated fingerprint scanner in the trim strip below the OLED media display, two fingerprints per user can be stored, quick access replaces PIN entry, protects personal data such as profiles plus office and payment functions	●	●
Hard-disc navigation	●	●
Head-up display	●	●
Live traffic information – 3 years	●	●
MBUX augmented reality for navigation	●	●
MBUX Interior Assistant (front)	●	●
Pre-entry climate control	●	●
Pre-installation for Car Sharing	●	●
Sound system – Burmester® surround sound system	●	●
USB package – six fast charging USB-C ports including four compatible for data transfer	●	●
Wireless smartphone integration (front) ²	●	●

Services

Geofencing – available to use free of charge for three years following activation ¹ , denotes a specific area and notifies via push message when the vehicle leaves or enters this area	●	●
--	---	---

Parked vehicle locator – available to use free of charge for three years following activation ¹ , shows the position of the parked vehicle in a radius of approx. 1.5 km	●	●
Personalisation – available to use free of charge for three years following activation ¹ , stores settings such as the radio station or navigation destination in the personal driver profile and enables these to be used in vehicles with the same telematics generation, the profile can be linked to the key, and the functions can therefore already be activated before getting in	●	●
Programming of auxiliary heater/ventilation	●	●
Remote door locking and unlocking – available to use free of charge for three years following activation ¹ , provides convenient remote monitoring	●	●
Remote retrieval of vehicle status ³ – shows mileage, tyre pressure, washer fluid level, etc.	●	●
Remote vehicle finder – available to use free of charge for three years following activation ¹ indicators activated via the app help to draw attention to the vehicle, for example in large, confusing car parks	●	●
Sliding sunroof/windows with remote closing and opening including ventilation function to use free of charge for three years following activation ¹ for a breath of fresh air in the vehicle available	●	●
Send2Car function – available to use free of charge for three years following activation ¹ , sends selected addresses via the app to the vehicle's navigation system, for example POIs or restaurants	●	●
Speedfencing	●	●
Stolen Vehicle Help (free of charge for 3 years from activation) – this service reduces the bureaucratic effort required and gives you an advantage in terms of time. In the event of theft, you can report it to the police. You can transfer the police file number (depending on country) plus the relevant vehicle and owner information quite simply via app to our certified partner's security centre. This centre will then coordinate with the local police station to track your vehicle	●	●
Valet protect – available to use free of charge for 3 years following activation ¹ notifies via the app when the ignition is switched on/off and when the vehicle moves outside a defined radius (1 km, 2.5 km or 5 km)	●	●
Vehicle Tracking	●	●

¹Free of charge for three years from activation ²Compatible smartphone required. For further details please visit <https://www.mercedes-benz-mobile.com/> ³To use this service, you must register on the Mercedes me portal and also accept the Terms of Use for the Mercedes me connect services. In addition, the respective vehicle must be paired with the user account. Upon expiry of the initial term, the services can be extended for a fee. Initial activation of the services is possible within 1 year of first registration or commissioning by the customer, whichever occurs first

Genuine accessories

We've developed a range of accessories you can add to help personalise and enhance your EQE.



DUO plus child seat, with ISOFIX

Mercedes-Benz 'DUO PLUS', suitable for children between the ages of around 9 months to 4 years (9-18 kg). Featuring ISOFIX attachments to make securely fitting the child seat even easier. The TopTether also offers additional safety. The height-adjustable shoulder belt and three seat positions offer additional comfort. The cover with an exclusive design can be removed and washed. This has been tested to Mercedes-Benz requirements. (A0009704302)



Coolbox

Be it cool drinks, a picnic or baby food: the thermoelectric refrigerator box cools upon request and is the perfect companion on any day out. It fits perfectly into every Mercedes-Benz vehicle and holds 13 litres. The portable refrigerator box is made up of a textile coating with fitted pockets and a zip. The inside, fixed plastic container is easy to clean. (A0008205409)

All the above accessories are subject to availability and compatibility. Please ask your Mercedes-Benz Retailer for more information. Images shown are for illustration purposes only.

Design	Sustainability	Technology	Safety	Mercedes-EQ	Model lines and upholstery	Model prices	Mercedes-AMG and upholstery	Mercedes-AMG prices	Personalisation	Standard equipment	Genuine accessories	Technical data	Additional information
--------	----------------	------------	--------	-------------	----------------------------	--------------	-----------------------------	---------------------	-----------------	--------------------	---------------------	----------------	------------------------

[Book a test drive](#)[Buy your EQ](#)[Find a Retailer](#)

Technical data

- Standard

Model	EQE300	Mercedes-AMG EQE 53 4MATIC+
Motor		
Battery type	lithium-ion high-voltage	lithium-ion high-voltage
Electric motor type	asynchronous	asynchronous
Battery capacity	kWh 89	90.6
Power ¹	hp (kW) 245 (180)	625 (460)
Torque ¹	Nm at rpm 565/3,559	950/4,639
On-board charger	kW 11 AC; 170 DC	11 AC; 170 DC
Emissions standard	EU6	EU6

Transmission	EQE300	Mercedes-AMG EQE 53 4MATIC+
Single-speed automatic	●	●

Performance	EQE300	Mercedes-AMG EQE 53 4MATIC+
Acceleration 0–62 mph	sec 7.3	3.5
Top speed	mph 130	137
Charging time		
Public Rapid charger (170 kW DC) 10–80% ²	32 mins	32 mins
Wallbox (11kW AC) 10–100% ³	8 hrs 30 mins	8 hrs 30 mins
Range power consumption combined ^{4,5}	Wh/km 186–167	224–223
Electric range – WLTP ⁴	miles 346–384	289–290

Model	EQE300	Mercedes-AMG EQE 53 4MATIC+
Weights and capacities		
Kerb weight ⁶	kg 2,355	2,525
Perm. Gross Vehicle Weight	kg 2,880	3,095
Boot capacity – seats up/down	l 430/895	570
Turning circle	m 12.5	12.4

Insurance	EQE300	Mercedes-AMG EQE 53 4MATIC+
All variants	tba	tba

Insurance ratings may vary depending on model line and specification.

Please refer to <http://www.thatcham.org/abigrouprating/> for further details

¹Figures according to Regulation (EC) No. 595/2009 in the currently applicable version ²Specified voltage and current values refer to network infrastructure and can be limited by the vehicle. Times are from 10–80% charge using public rapid charging at 170 kW ³Specified voltage and current values refer to network infrastructure and can be limited by the vehicle. Times are from 10–100% charge using a wallbox (three-phase) or standard socket (single-phase) ⁴Figures shown are for comparability purposes; only compare with other cars tested to the same technical procedures. Figures may not reflect real life driving results, which will depend upon a number of factors including the starting charge of the battery, factory-fitted options, accessories fitted (post registration), variations in weather, driving styles and vehicle load. Further information about the test used to establish range, power consumption and CO₂ figures can be found at <http://www.mercedes-benz.co.uk/WLTP> ⁵Specified voltage and current values refer to network infrastructure and can be limited by the vehicle ⁶Mass of the vehicle in running order with at least 90% full fuel tank, plus the mass of the driver (estimated by law at 75 kg), fuel and fluids, equipped with the standard equipment as specified by the manufacturer as well as, where applicable, the mass of the body, cab, trailer coupling and spare wheel(s) as well as tools. Optional extras, additional equipment and accessories can influence the weight, residual payload, rolling resistance, aerodynamics, etc., and therefore also affect the consumption/CO₂ values

[Book a test drive](#)[Buy your EQE](#)[Find a Retailer](#)

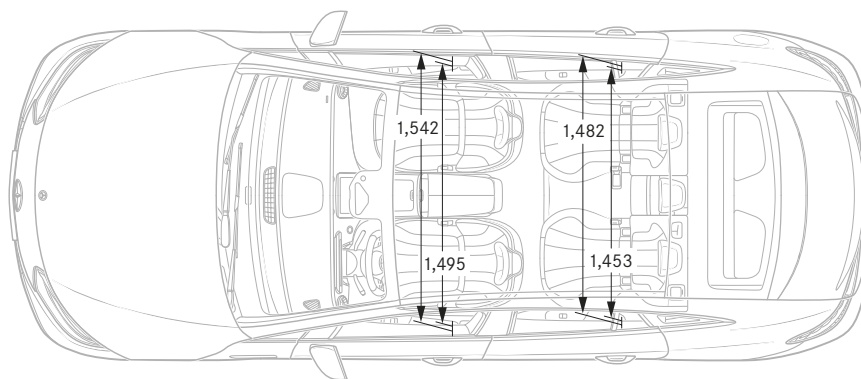
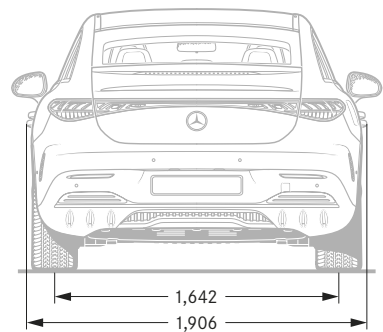
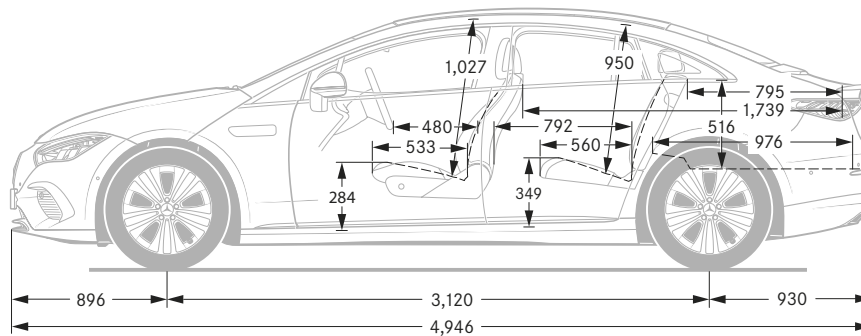
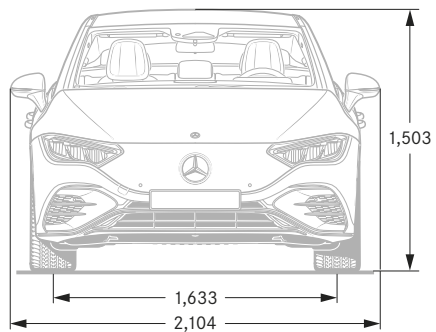
Electric range and consumption

Model	Energy Consumption - combined (Wh/km) ^{1,2}	All Electric Range (km) ²	All Electric Range (miles) ²
EQE 300 AMG Line	167	618	384
EQE 300 AMG Line Premium	172	599	372
EQE 300 AMG Line Premium Plus	186	557	346
EQE 300 Exclusive Luxury	182	570	354
Mercedes-AMG EQE 53 4MATIC+ Night Edition	223	466	290
Mercedes-AMG EQE 53 4MATIC+ Night Edition + Hyperscreen	224	465	289
Mercedes-AMG EQE 53 4MATIC+ Night Edition + Performance package	223	466	290
Mercedes-AMG EQE 53 4MATIC+ Night Edition + Performance package + Hyperscreen	224	465	289
Mercedes-AMG EQE 53 4MATIC+ Touring	224	466	290
Mercedes-AMG EQE 53 4MATIC+ Touring + Hyperscreen	224	465	289

¹Specified voltage and current values refer to network infrastructure and can be limited by the vehicle fitted (post registration), variations in weather, driving styles and vehicle load. Further information about the test used to establish range, power consumption and CO₂ figures can be found at <http://www.mercedes-benz.co.uk/WLTP> ²Figures shown are for comparability purposes; only compare with other cars tested to the same technical procedures. Figures may not reflect real life driving results, which will depend upon a number of factors including the starting charge of the battery, factory-fitted options, accessories

[Book a test drive](#)[Buy your EQE](#)[Find a Retailer](#)

EQE 300



All measurements in millimetres. The dimensions shown are mean values and apply to standard-specification, unladen vehicles. Dimensions may vary slightly depending on the engine. Please consult your Retailer for further information

Design	Sustainability	Technology	Safety	Mercedes-EQ	Model lines and upholstery	Model prices	Mercedes-AMG and upholstery	Mercedes-AMG prices	Personalisation	Standard equipment	Genuine accessories	Technical data	Additional information
--------	----------------	------------	--------	-------------	----------------------------	--------------	-----------------------------	---------------------	-----------------	--------------------	---------------------	----------------	------------------------



Road Fund Licence

All road vehicle registrations are subject to Vehicle Excise Duty (Road Fund Licence), which varies in accordance with the vehicle's CO₂ emissions. A first year rate for each taxation band will apply. The table below shows the bands (A–M) created by the DVLA and the corresponding Road Fund Licence. CO₂ emissions and the relevant Excise Duty are shown on the model pricing page.

Band	CO ₂ emissions (g/km)	First year rate petrol and RDE2 diesel (£)	First year rate all other diesel (£) ¹	First year rate alternative fuel (£)	Electric vehicles		Alternative fuel vehicles		Petrol/diesel vehicles	
					Standard rate (£)	Premium rate (£) ²	Standard rate (£)	Premium rate (£) ²	Standard rate (£)	Premium rate (£) ²
A	0	0.00	0.00	0.00	0.00	0.00	0.00	0.00	0.00	0.00
B	1 to 50	10.00	25.00	0.00	0.00	0.00	155.00	510.00	165.00	520.00
C	51 to 75	25.00	120.00	15.00	0.00	0.00	155.00	510.00	165.00	520.00
D	76 to 90	120.00	150.00	110.00	0.00	0.00	155.00	510.00	165.00	520.00
E	91 to 100	150.00	170.00	140.00	0.00	0.00	155.00	510.00	165.00	520.00
F	101 to 110	170.00	190.00	160.00	0.00	0.00	155.00	510.00	165.00	520.00
G	111 to 130	190.00	230.00	180.00	0.00	0.00	155.00	510.00	165.00	520.00
H	131 to 150	230.00	585.00	220.00	0.00	0.00	155.00	510.00	165.00	520.00
I	151 to 170	585.00	945.00	575.00	0.00	0.00	155.00	510.00	165.00	520.00
J	171 to 190	945.00	1,420.00	935.00	0.00	0.00	155.00	510.00	165.00	520.00
K	191 to 225	1,420.00	2,015.00	1,410.00	0.00	0.00	155.00	510.00	165.00	520.00
L	226 to 255	2,015.00	2,365.00	2,005.00	0.00	0.00	155.00	510.00	165.00	520.00
M	over 255	2,365.00	2,365.00	2,355.00	0.00	0.00	155.00	510.00	165.00	520.00

Some of the model features, optional extras and colours shown may not be available, or may only be available in a different specification, or at a different price.

¹Applies to all Mercedes-Benz diesel models which do not comply with RDE (Real Driving Emissions) Step 2 Certified (Euro 6d)

²Premium rate only applicable to vehicles where the list price is over £40,000 including any factory-fitted options, standard UK delivery charge and VAT

Design	Sustainability	Technology	Safety	Mercedes-EQ	Model lines and upholstery	Model prices	Mercedes-AMG and upholstery	Mercedes-AMG prices	Personalisation	Standard equipment	Genuine accessories	Technical data	Additional information
--------	----------------	------------	--------	-------------	----------------------------	--------------	-----------------------------	---------------------	-----------------	--------------------	---------------------	----------------	------------------------



Services and insurance

Mercedes-Benz ServiceCare

We believe that servicing costs should be as flexible and affordable as possible for your EQE, which is why we offer ServiceCare, an easy way to budget for all your servicing costs. It spreads your bills into manageable payments based on whether you have a new or used Mercedes-Benz.

With ServiceCare we guarantee the price of parts and labour for up to four services and safeguard against any further inflation.

You can choose either to add your servicing costs into your monthly spend or pay the full amount in a one-off payment, giving you peace of mind that they are taken care of for the period of the plan.

[Click here for more information](#)

Warranty and breakdown cover

Every Mercedes-Benz comes with a three-year unlimited mileage warranty against manufacturing or material defects¹ and up to 30 years warranty against perforation due to corrosion from the inside out.² What's more, it's also covered by Mercedes-Benz Roadside Assistance – a unique package comprising up to 30 years pan-European breakdown assistance.²

Battery Warranty

The battery comes with a 10-year 155,000-mile warranty.

Motor Insurance

We know that once you have chosen your Mercedes-Benz you can't wait to drive it – that's why we created First Cover³. It gives you 7 days' free comprehensive Motor Insurance when you buy a new or used vehicle from a Mercedes-Benz Retailer. We will also send you a quote for annual cover, so you can enjoy the same peace of mind all year round.

[Apply for First Cover](#)



¹Applies to vehicles sold by Mercedes-Benz in the UK to its franchised Retailers

²Subject to full Terms and Conditions, dependent on date of registration, available upon request

³Terms and Conditions apply. We are an independent intermediary dealing with selected insurers in respect of annual insurance

Design	Sustainability	Technology	Safety	Mercedes-EQ	Model lines and upholstery	Model prices	Mercedes-AMG and upholstery	Mercedes-AMG prices	Personalisation	Standard equipment	Genuine accessories	Technical data	Additional information
------------------------	--------------------------------	----------------------------	------------------------	-----------------------------	--	------------------------------	---	-------------------------------------	---------------------------------	------------------------------------	-------------------------------------	--------------------------------	--



Effective from August 2022 Production. Information correct at time of publication 05.07.2022.
Prices and specifications are subject to change without prior notice.
MBV295PL/0722 MY 803

